

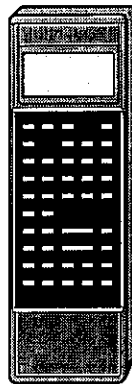


**Parts List &  
Circuit Diagrams**

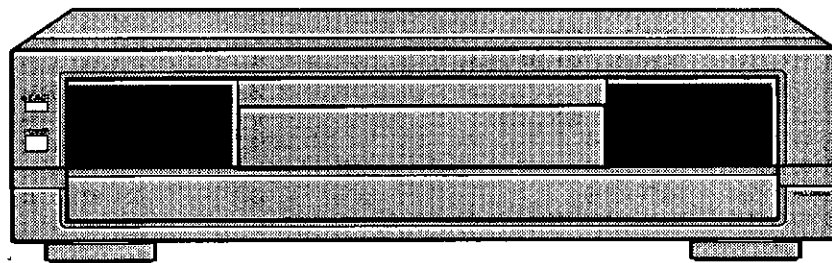
**Video Cassette  
Recorder**

**VHR-S700  
(Australia)**

UPPER DRUM - 613 112 3274  
CAPSTAN MOTOR - 613 094 3385



REMOTE  
613 118 5227



Hi-Fi HQ

**Contents**

ACCESSORIES . . . . .	1	COMPL, AD-2 . . . . .	24
PACKING MATERIALS . . . . .	1	COMPL, CP-B . . . . .	24
CABINET & CHASSIS PARTS . . . . .	1	COMPL, PW-1 . . . . .	25
MECHANISM PARTS 1 . . . . .	2	COMPL, PW-2 . . . . .	27
MECHANISM PARTS 2 . . . . .	3	IF PACK . . . . .	27
MECHANISM PARTS 3 . . . . .	4	DECODER . . . . .	28
ELECTRICAL PARTS . . . . .		COMPL, TN-7 . . . . .	28
COMPL, CP-1 . . . . .	5	COMPL, TM-1 . . . . .	29
COMPL, VD-1 . . . . .	12	REMOCON . . . . .	30
COMPL, VD-2 . . . . .	20	COMPL, RM-1 . . . . .	30
COMPL, VP-1 . . . . .	22	Circuit Diagram . . . . .	30

Please see other materials with Reference No. given in table below.

Materials	Model No.	Reference No.
Service Manual	VHR-S700 Series	WM-530775
Mechanism Manual	P90 Mechanism	WM-530599
	P90 S-VHS Mechanism	WM-530824

**PRODUCT SAFETY NOTICE**

The components designated by a symbol ( $\Delta$ ) in this schematic diagram designates components whose value are of special significance to product safety. Should any component designated by a symbol need to be replaced, use only the part designated in the Parts List. Do not deviate from the resistance, wattage and voltage ratings shown.

- NOTE: 1. Parts order must contain Model Number, Part Number and Description.  
2. N.S.P.: Not available as service parts.

**SPARE PARTS**

REFERENCE No. WM-530810

LOCATION PARTS NO. DESCRIPTION LOCATION PARTS NO. DESCRIPTION

ACCESSORIES

	613 118 5227	REMOCON
	613 120 9985	INSTRUCTION MANUAL
	613 096 6773	CABLE,ANT
	613 089 3017	PLUG ASSY,RCA
OR	613 122 7576	CABLE,RCA
	613 121 0370	CORD,POWER
	613 109 8725	CABLE,S-VHS
OR	613 109 8732	CABLE,S-VHS

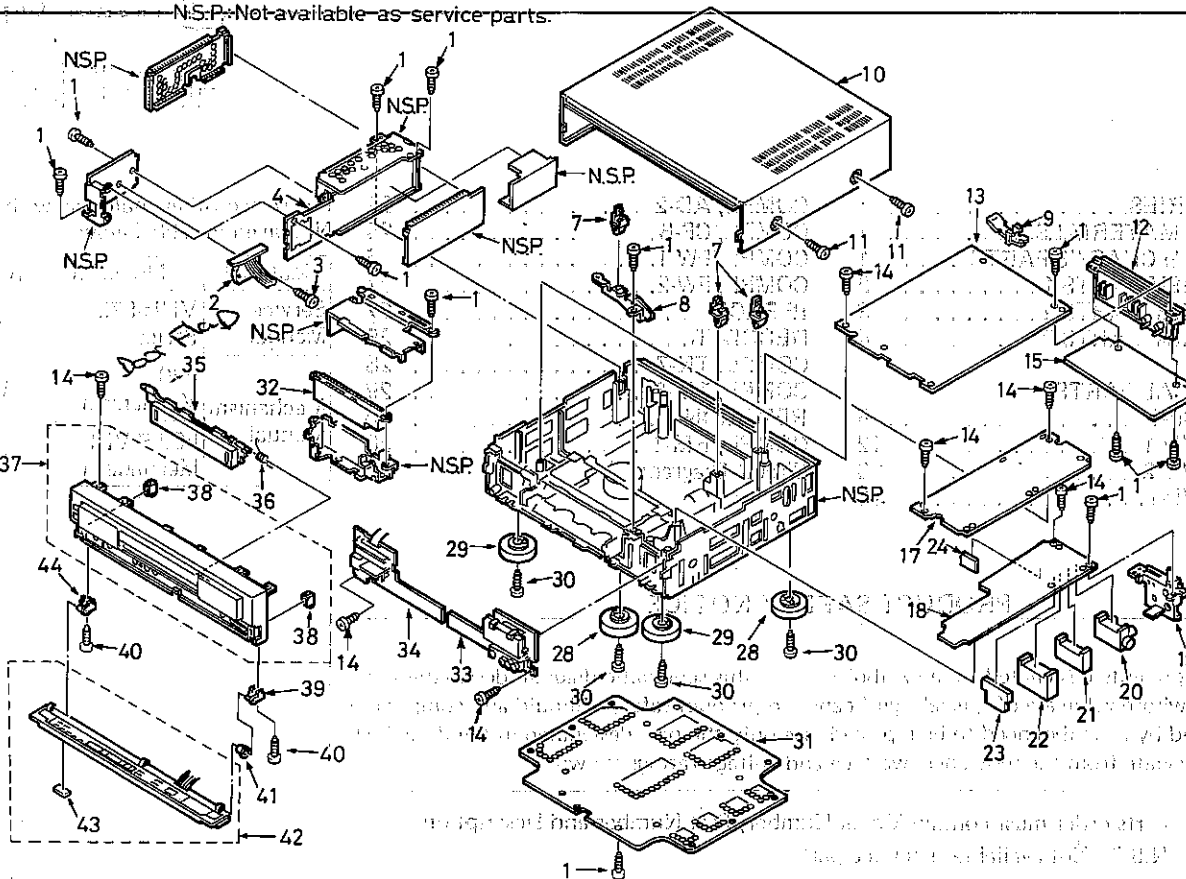
PACKING MATERIALS

613 118 1694	CORR CASE,INNER
613 114 7744	CUSHION,INNER,FRONT
613 114 7751	CUSHION,INNER,BACK
613 095 0765	POLYE COVER,INNER

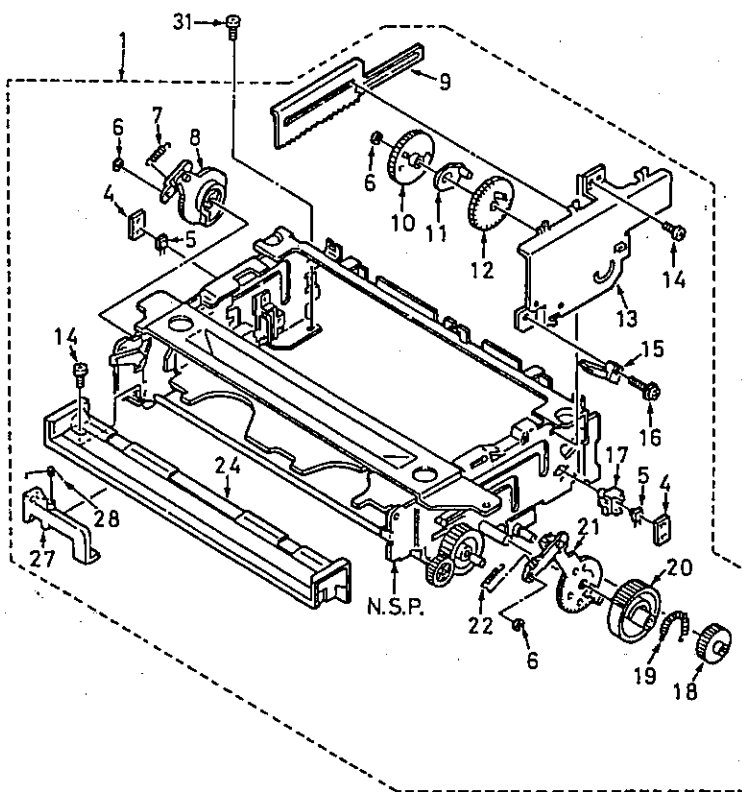
CABINET & CHASSIS PARTS

1	411 137 0007	SCR L-TPG BIN 3X10	23	613 104 3091	DECODER
2	613 113 3150	COMPL,PW-2	24	613 109 1030	COMPL,TN-7
3	411 021 4302	SCR S-TPG BIN 3X14	28	613 110 0992	STAND,REAR
4	613 122 3561	COMPL,PW-1	29	613 108 5671	STAND,FRONT
7	613 108 6524	HOLDER,VD-1	30	411 021 4005	SCR S-TPG BIN 3X12
8	613 107 6761	BRACKET,VD-1	31	613 107 9335	COVER,BOTTOM
9	613 059 4198	SPRING PLATE	32	613 113 4744	COMPL,VP-1
10	613 113 5994	COVER, TOP	33	613 121 3111	COMPL,TM-1
11	412 028 9406	+BTS-B S-4X12	34	613 112 2765	COMPL,AD-2
12	613 113 7356	TERMINAL(INCLUDE CP-1)	35	613 113 6021	DOOR
13	613 120 9831	COMPL,CP-1	36	613 109 5236	SPRING
14	411 021 3800	SCR S-TPG BIN 3X10	37	613 120 3488	ASSY,CABINET,FRONT
15	613 117 9196	COMPL,VD-2	38	613 095 1632	HOLDER,DOOR
17	613 113 4720	COMPL,VD-1	39	613 110 4891	ASSY,BRACKET
18	613 117 9684	COMPL,CP-B	40	411 021 3701	SCR S-TPG BIN 3X10
19	613 107 5894	TERMINAL(INCLUDE CP-B)	41	613 110 4365	SPACER
20	613 079 5250	MODULATOR,RF	42	613 120 9893	ASSY,DOOR
21	613 096 0153	IF PACK	43	613 042 0183	BADGE
22	613 096 0146	TUNER PACK	44	613 108 2946	ASSY,BRACKET

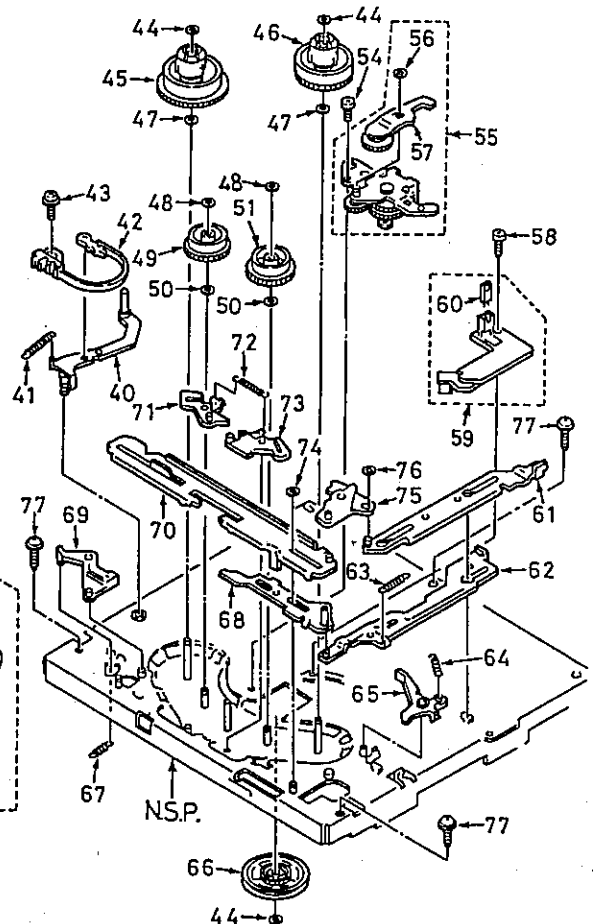
N.S.P.-Not available as service parts.



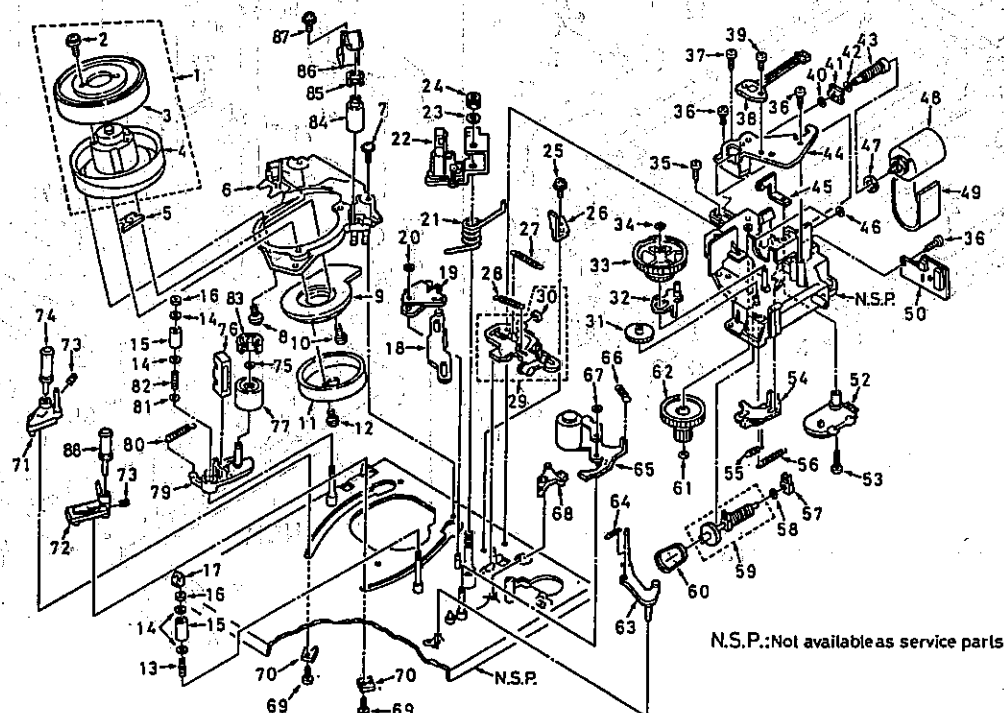
LOCATION	PARTS NO.	DESCRIPTION	LOCATION	PARTS NO.	DESCRIPTION
<b>MECHANISM PARTS 1</b>					
1	613 108 6326	COMPL, CASSETTE MECHA	47	412 021 5306	SPECIAL WASHER 3.1*6*0.3
4	613 022 0585	LID	OR	412 015 8900	SPECIAL WASHER 3.1*6*0.4
5	407 098 3201	PHOTO COUPLE PN150SAN	OR	412 015 8504	SPECIAL WASHER 3.1*6*0.5
6	411 015 9801	RING E 2.3	48	411 109 1506	WASHER Y 2.1*6*0.25
7	613 022 1643	SPRING, LINK L	OR	411 109 1407	WASHER Y 2.1*5*0.25
8	613 022 0073	ASSY, GEAR, LEVER L	49	613 093 3959	GEAR, REEL SUPPLY
9	613 022 2695	RACK	50	412 026 7305	SPECIAL WASHER 2.6*6*0.25
10	613 022 2633	GEAR, LOCK	51	613 093 3966	GEAR, REEL TAKE UP
11	613 021 9916	ASSY, LEVER, PINION	54	411 031 0905	SCR BIN 2.6*4
12	613 022 2626	GEAR, PINION	55	613 093 3911	COMPL, IDLER, CLUTCH
13	613 021 9657	ASSY, BRACKET, GEAR	56	411 120 1301	WASHER Y 2.1*4*0.25
14	411 027 1305	SCR S-IPG BIN 2.6*4	57	613 093 3928	ASSY, IDLER
15	613 006 4479	SPECIAL SWITCH	58	411 021 3107	SCR S-IPG BIN 2.6*8
OR	613 095 0949	SPECIAL SWITCH	59	613 078 6302	COMPL, MC-4
16	411 106 9208	SCR PAN+SW+W 2*9	60	407 016 7205	LED LNS9
17	613 022 0936	HOLDER, TRANSISTOR	61	613 021 9985	ASSY, SLIDE, ACT PLATE
18	613 022 2619	GEAR, IDLER	62	613 112 8088	SLIDE, CONTROL BRAKE
19	613 022 1667	SPRING, GEAR MAIN	OR	613 021 9992	ASSY, SLIDE, C BRAKE
20	613 022 2596	GEAR, MAIN	63	613 022 1612	SPRING, RETURN SLIDE
21	613 022 0097	ASSY, GEAR, LEVER R	64	613 022 1506	SPRING, SUB T
22	613 022 1674	SPRING, LINK R	65	613 098 0106	ASSY, BRAKE, SUB T
24	613 108 0256	BOARD, UNDER	66	613 093 4024	PULLEY, REEL
27	613 022 2237	LEVER, SAFETY SWITCH	67	613 022 1490	SPRING, SUB SUPPLY
28	613 022 1827	SPRING, SAFETY SWITCH	68	613 022 2374	SLIDE, ACT BRAKE
31	411 001 8702	SCR BIN 3*6	69	613 084 8871	BRAKE, SUB SUPPLY
40	613 100 0391	ASSY, LEVER, TENSION	70	613 022 0004	ASSY, SLIDE, H PLATE
41	613 085 7996	SPRING, LEVER TENSION	71	613 080 9216	ASSY, BRAKE, SUPPLY
42	613 021 9701	ASSY, HOLDER, BAND	72	613 022 1544	SPRING, MAIN BRAKE
43	411 144 2803	SCR PAN+SW+W 2.6*6	OR	613 086 2914	SPRING, MAIN BRAKE
44	411 109 1605	WASHER Y 2.6*6*0.25	73	613 095 0222	ASSY, BRAKE, TAKE UP
45	613 093 3904	ASSY, REEL, SUPPLY	74	411 109 3005	WASHER Y 2.6*5*0.5
46	613 093 3898	ASSY, REEL, TAKE UP	75	613 022 2015	LEVER, CONT PLATE
			76	412 015 9501	SPECIAL WASHER
			77	411 021 7907	SCR S-IPG BIN 4*12



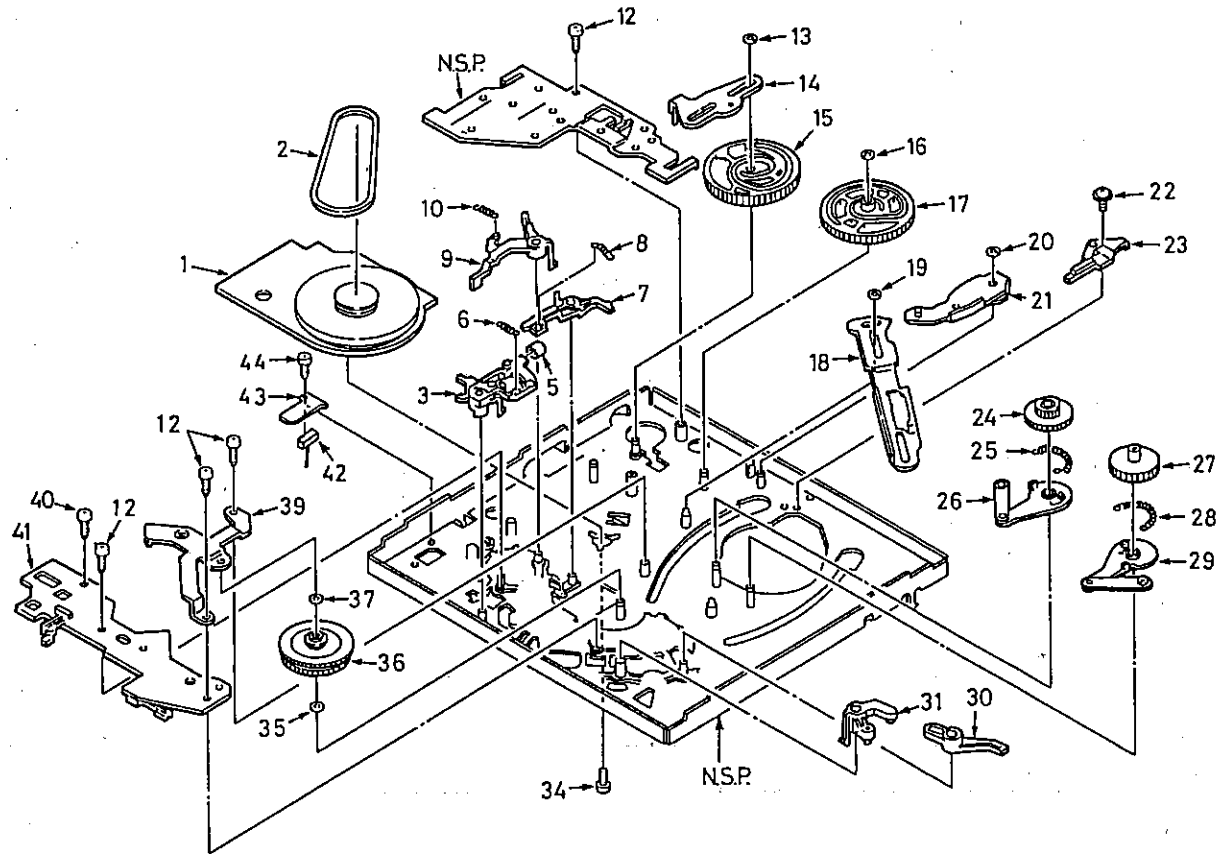
N.S.P.: Not available as service parts



LOCATION	PARTS NO.	DESCRIPTION	LOCATION	PARTS NO.	DESCRIPTION
<b>MECHANISM PARTS 2</b>					
1	613 112 3229	COMPL, CYLINDER, 5H7P-SRB	41	613 077 3227	HOLDER, WORM
2	411 038 1608	SCR PAN+W 3*8	42	613 027 0382	WASHER
3	613 112 3274	ASSY, CYLINDER, UPR 5H7P-SR	43	613 078 8320	ASSY, WORM, FRONT
4	613 112 3250	ASSY, CYLINDER, LWR 7PB	44	613 117 0599	BRACKET, HOLDER
5	613 097 2170	SPACER, MOTOR	OR	613 111 8522	BRACKET, HOLDER
6	613 106 3686	BASE, CYLINDER	45	613 093 9159	PLATE, NUT
7	411 047 7509	SCR PAN+FLG 3*6	46	613 093 8374	DAMPER, MOTOR
8	411 047 5000	SCR PAN+FLG 2.6*8	47	613 077 3616	DAMPER, WORM
OR	412 030 9708	SPECIAL SCREW 2.6*8	48	613 121 9960	ASSY, LOADING MOTOR
9	613 085 7279	STATOR, MOTOR CYLINDER	49	613 092 9945	DAMPER, MOTOR
10	411 044 9209	SCR PAN+SW 2.3*8	50	613 107 2732	COMPL, MC-3
OR	411 044 8301	SCR PAN+SW 2.3*10	52	613 110 0374	ROTARY SWITCH
11	613 022 4019	ROTOR, MOTOR CYLINDER	53	411 126 5303	SCR PAN 2.6*13
12	411 044 9001	SCR PAN+SW 2.3*6	54	613 092 9921	ASSY, SLIDE, FRONT
13	613 022 1766	SPRING, ADJUST GUIDE	55	613 092 5985	SPRING, LEVER LOAD
14	613 053 3227	SPECIAL WASHER	56	613 092 5992	SPRING, LEVER ACT
15	613 058 3307	TAPE GUIDE	57	613 092 5886	HOLDER, WORM
16	412 026 2607	SPECIAL NUT (M3)	58	613 027 0627	WASHER 2.1*6*0.5
17	613 085 2434	CAP	59	613 092 9938	ASSY, WORM, LOAD
18	613 021 9961	ASSY, SLIDE, ACT PINCH	60	613 022 2985	BELT, LOADING
19	613 021 9800	ASSY, LEVER, CAM PINCH	61	412 033 4106	WASHER SLIT 2.6*5*0.5
20	411 109 2008	WASHER Y 3.1*8*0.5	62	613 077 3579	GEAR, HELICAL
21	613 022 1797	SPRING, ACE HEAD	63	613 102 9293	ASSY, LEVER, REV GUIDE
22	613 079 7971	COMPL, BRACKET, HEAD	64	613 022 1568	SPRING, REVIEW LEVER
23	613 051 4615	SPACER	65	613 022 0158	COMPL, PINCH ROLLER
OR	613 110 1692	SPACER	66	613 022 1483	SPRING, PINCH ROLLER
24	412 015 8207	SPECIAL NUT (M5)	67	411 109 2107	WASHER Y 3.6*6*0.5
25	411 120 0007	SCR PAN+SW+W 2.6*5	68	613 078 8160	COMPL, LEVER, ACT BRAKE
26	613 022 0752	BRACKET, STOPPER	69	411 031 1209	SCR BIN 2.6*5
27	613 022 1575	SPRING, LINK LOCK	70	613 022 1919	PLATE, GUIDE
28	613 022 1582	SPRING, SLIDE BRAKE	71	613 021 9725	ASSY, BASE, ROLLER S
29	613 094 9233	ASSY, SLIDE, CAM	72	613 021 9732	ASSY, BASE, ROLLER T
30	613 022 2725	DAMPER	73	411 063 0904	SCR SET HEX-SCT 2*3
31	613 022 2534	GEAR, FRONT LOAD	74	613 102 9309	ASSY, GUIDE, ROLLER
32	613 094 1206	ASSY, LEVER, FRONT	75	412 033 3208	WASHER SILL 1.6*4*0.25
33	613 077 3586	GEAR, HELICAL FRONT	76	613 086 7452	HEAD, FULL ERASE
34	613 027 0504	WASHER 4.1*6.5*RT	77	613 095 3759	IMPEDANCE ROLLER
35	411 046 8002	SCR PAN+SW+W 2.6*6	79	613 095 3704	ASSY, LEVER, FE HEAD
36	411 023 2801	SCR S-IPG PAN 2.6*6	80	613 022 1698	SPRING, ERASE HEAD
37	411 021 3107	SCR S-IPG BIN 2.6*8	81	411 109 1704	WASHER Y 6.4*10*0.25
38	613 089 4328	ASSY, SENSOR, DEW	83	613 095 3735	BRACKET, IMPEDANCE
39	411 040 2303	SCR PAN 2.6*5	84	613 094 4764	ROLLER, IMPEDANCE
40	613 053 2381	SPECIAL WASHER	85	613 094 4634	BRACKET, IMPEDANCE
			86	613 094 4641	HOLDER, IMPEDANCE
			87	411 046 9702	SCR PAN+SW+W 3*6
			88	613 022 0233	ASSY, GUIDE, ROLLER



LOCATION	PARTS NO.	DESCRIPTION	LOCATION	PARTS NO.	DESCRIPTION
<b>MECHANISM PARTS 3</b>					
1	613 094 3385	MOTOR, CAPSTAN	25	613 022 1551	SPRING, GEAR LOAD I
OR	613 094 3392	MOTOR, CAPSTAN	26	613 021 9879	ASSY, LEVER, LOAD I
2	613 093 4031	BELT, REEL DRIVE	27	613 090 6373	GEAR, LOAD SUPPLY
3	613 021 9848	ASSY, LEVER, CLUTCH	28	613 022 1704	SPRING, GEAR LOAD S
5	613 079 1023	DAMPER, LEVER CLUTCH	29	613 021 9862	ASSY, LEVER, LOAD S
6	613 022 1520	SPRING, LEVER CLUTCH	30	613 022 2039	LEVER, RETURN TENSION
7	613 082 3434	LEVER, CHANGE CLUTCH	31	613 091 3104	ASSY, LEVER CONTROL
8	613 022 1711	SPRING, CHANGE CLUTCH	34	411 040 2303	SCR PAN 2.6x5
9	613 081 7518	ASSY, BRAKE CAPSTAN	35	412 015 8603	SPECIAL WASHER 3.1x6x0.25
10	613 098 2285	SPRING, CAPSTAN	36	613 093 6448	ASSY, GEAR, FRICTION
12	411 021 3107	SCR S-TPG BIN 2.6x8	37	411 109 1605	WASHER Y 2.6x6x0.25
13	411 109 2008	WASHER Y 3.1x8x0.5	39	613 079 8121	BRACKET, PULLEY
14	613 021 9978	ASSY, SLIDE, CAM PLATE	40	411 100 0300	SCR S-TPG BIN 2.6x5
15	613 022 2701	CAM, MODE	41	613 110 1364	COMPL, MC-1
16	411 109 1902	WASHER Y 3.1x6x0.5	R1	401 026 0607	CARBON 270 JA 1/6W
17	613 022 2718	CAM, MAIN	OR	401 017 0708	CARBON 270 JA 1/4W
18	613 022 2664	RACK, LOAD	R2	401 024 6700	CARBON 100 JA 1/6W
19	411 109 1803	WASHER Y 2.6x6x0.5	OR	401 012 4404	CARBON 100 JA 1/4W
20	411 109 2107	WASHER Y 3.6x6x0.5	R3	401 026 0607	CARBON 270 JA 1/6W
OR	411 109 2206	WASHER Y 3.6x8x0.5	OR	401 017 0708	CARBON 270 JA 1/4W
21	613 021 9794	ASSY, LEVER, CAM LOAD	D1	407 094 1300	PHOTO COUPLE SPI-315-04-C
22	411 047 6809	SCR PAN+FLG 3x4	OR	407 043 0101	PHOTO DIODE ON2170-R
23	613 021 9763	ASSY, EARTH, CYLINDER	D2	407 094 1300	PHOTO COUPLE SPI-315-04-C
24	613 022 2435	GEAR, LOAD TAKE UP	OR	407 043 0101	PHOTO DIODE ON2170-R
OR	613 090 6380	GEAR, LOAD TAKE UP	SW1	613 022 4545	SPECIAL SWITCH, EP
			42	613 079 8282	SW PUSH
			43	613 079 1528	PCB
			44	411 046 7906	SCR PAN+SH+W 2.6x5



N.S.P.: Not available as service parts

# ELECTRICAL PARTS

## NOTE:

\*Materials of Capacitors and Resistors are abbreviated as follows:

<b>Resistors</b>	
MT-FILE	Metal Film Resistor
MT-GLAZE	Metal Glaze Resistor
OXIDE-MT	Oxide Metal Film Resistor
<b>Capacitors</b>	
MT-POLYEST	Metallized Polyester Capacitor
MT-COMPO	Metallized Composite Capacitor

TA-SOLID	Tantalum Solid Capacitor
AL-SOLID	Aluminum Solid Capacitor
NP-ELECT	Non-Polarized Electrolytic Capacitor
OS-SOLID	Aluminum Solid Capacitors with Organic Semiconductive Electrolytic Capacitor
DL-ELECT	Double Layered Electrolytic Capacitor

\*Tolerance of Capacitor(10pF over) and Resistor are noted with follow symbols.

F	.....±1%	G	.....±2%	J	.....±5%	K	.....±10%
M	.....±20%	N	.....±30%	Z	.....+80% ~ -20%		

\*N.S.P. : Not available as service parts.

LOCATION	PARTS NO.	DESCRIPTION	LOCATION	PARTS NO.	DESCRIPTION
COMPL,CP-1			C1639	403 001 1906	CERAMIC 0.01U M 16V
COMPL.NO.	613 120 9831		C1640	403 010 7807	CERAMIC 12P J 50V
VIDEO CIRCUIT(VD-A)			C1641	403 068 8801	CERAMIC 100P J 50V
	613 053 8031	FIXER	C1642	403 001 1906	CERAMIC 0.01U M 16V
B1601	405 018 2501	TR 2SC3399-AC	C1643	403 068 8801	CERAMIC 100P J 50V
OR	405 000 6104	TR DTC144ES-DCTP	C1644	403 069 1207	CERAMIC 1000P K 50V
B1602	405 018 2501	TR 2SC3399-AC	C1645	403 001 1906	CERAMIC 0.01U M 16V
OR	405 000 6104	TR DTC144ES-DCTP	C1646	403 135 4002	ELECT 47U M 6.3V
B1603	405 018 2501	TR 2SC3399-AC	C1648	403 121 2104	ELECT 22U M 10V
OR	405 000 6104	TR DTC144ES-DCTP	C1649	403 022 7703	CERAMIC 33P J 50V
B1605	405 018 2808	TR 2SC3402-AC	C1650	403 024 1501	CERAMIC 39P J 50V
OR	405 000 3103	TR DTC114ES-DCTP	C1651	403 121 2104	ELECT 22U M 10V
B1606	405 018 2501	TR 2SC3399-AC	C1652	403 001 1906	CERAMIC 0.01U M 16V
OR	405 000 6104	TR DTC144ES-DCTP	C1653	403 001 1906	CERAMIC 0.01U M 16V
B1607	405 018 2501	TR 2SC3399-AC	C1654	403 068 8801	CERAMIC 100P J 50V
OR	405 000 6104	TR DTC144ES-DCTP	D1603	407 012 4406	DIODE 1SS133-T-77
B1608	405 003 7603	TR 2SA1345-AC	OR	407 007 9904	DIODE GMA01-BT
B1611	405 018 2501	TR 2SC3399-AC	D1604	407 012 4406	DIODE 1SS133-T-77
OR	405 000 6104	TR DTC144ES-DCTP	OR	407 007 9904	DIODE GMA01-BT
B1612	405 003 7603	TR 2SA1345-AC	D1609	407 012 4406	DIODE 1SS133-T-77
B1613	405 003 7603	TR 2SA1345-AC	OR	407 007 9904	DIODE GMA01-BT
B1614	405 018 2501	TR 2SC3399-AC	D1610	407 012 4406	DIODE 1SS133-T-77
OR	405 000 6104	TR DTC144ES-DCTP	OR	407 007 9904	DIODE GMA01-BT
C1601	403 104 8505	CERAMIC 0.047U J 25V	D1614	407 012 4406	DIODE 1SS133-T-77
C1602	403 001 1906	CERAMIC 0.01U M 16V	OR	407 007 9904	DIODE GMA01-BT
C1603	403 135 4002	ELECT 47U M 6.3V	D1617	407 012 4406	DIODE 1SS133-T-77
C1604	403 002 4708	CERAMIC 0.1U Z 25V	OR	407 007 9904	DIODE GMA01-BT
C1607	403 134 9602	ELECT 47U M 16V	D1621	407 012 4406	DIODE 1SS133-T-77
C1608	403 135 4101	ELECT 470U M 6.3V	OR	407 007 9904	DIODE GMA01-BT
C1609	403 001 1906	CERAMIC 0.01U M 16V	D1622	407 012 4406	DIODE 1SS133-T-77
C1611	403 135 4002	ELECT 47U M 6.3V	OR	407 007 9904	DIODE GMA01-BT
C1614	403 121 2104	ELECT 22U M 10V	D1623	407 012 4406	DIODE 1SS133-T-77
C1615	403 121 2104	ELECT 22U M 10V	OR	407 007 9904	DIODE GMA01-BT
C1616	403 104 8505	CERAMIC 0.047U J 25V	D1624	407 012 4406	DIODE 1SS133-T-77
C1617	403 135 4002	ELECT 47U M 6.3V	OR	407 007 9904	DIODE GMA01-BT
C1619	403 143 2809	CERAMIC 0.047U Z 50V	D1625	407 012 4406	DIODE 1SS133-T-77
C1620	403 143 2809	CERAMIC 0.047U Z 50V	OR	407 007 9904	DIODE GMA01-BT
C1621	403 134 9602	ELECT 47U M 16V	D1626	407 012 4406	DIODE 1SS133-T-77
C1623	403 135 4101	ELECT 470U M 6.3V	OR	407 007 9904	DIODE GMA01-BT
C1630	403 001 1906	CERAMIC 0.01U M 16V	D1631	407 012 4406	DIODE 1SS133-T-77
C1631	403 001 1906	CERAMIC 0.01U M 16V	OR	407 007 9904	DIODE GMA01-BT
C1633	403 001 1906	CERAMIC 0.01U M 16V	D1632	407 012 4406	DIODE 1SS133-T-77
C1634	403 135 4002	ELECT 47U M 6.3V	OR	407 007 9904	DIODE GMA01-BT
C1636	403 104 8505	CERAMIC 0.047U J 25V	D1636	407 012 4406	DIODE 1SS133-T-77
C1637	403 104 8505	CERAMIC 0.047U J 25V	OR	407 007 9904	DIODE GMA01-BT
C1638	403 001 1906	CERAMIC 0.01U M 16V	IC161	409 182 8901	IC NJM2235L
			IC163	409 182 8901	IC NJM2235L
			IC164	409 182 9007	IC NJM2234L

LOCATION	PARTS NO.	DESCRIPTION	LOCATION	PARTS NO.	DESCRIPTION
IC165	409 172 6801	IC BA7604N	R1604	401 019 1802	CARBON 3.9K JA 1/4W
			R1605	401 012 6903	CARBON 10K JA 1/4W
JK161	613 092 7972	SOCKET (S)	R1606	401 013 9903	CARBON 13K JA 1/4W
			R1607	401 016 4707	CARBON 22K JA 1/4W
L1602	613 015 6792	COIL,INDUCTOR 330UHK	R1608	401 020 1907	CARBON 4.7K JA 1/4W
L1603	613 014 1248	COIL,INDUCTOR 220UHJ	R1609	401 017 1705	CARBON 2.7K JA 1/4W
L1604	613 014 1200	COIL,INDUCTOR 100UHJ	R1611	401 022 6702	CARBON 75 JA 1/4W
			R1612	401 022 1806	CARBON 680 JA 1/4W
Q1601	405 008 4805	TR 2SB764-E-AE	R1613	401 022 6702	CARBON 75 JA 1/4W
Q1602	405 006 6504	TR 2SA984-E-AA	R1620	401 012 6903	CARBON 10K JA 1/4W
OR	405 006 6702	TR 2SA984-F-AA	R1623	401 012 6903	CARBON 10K JA 1/4W
Q1603	405 006 6504	TR 2SA984-E-AA	R1624	401 016 3700	CARBON 2.2K JA 1/4W
OR	405 006 6702	TR 2SA984-F-AA	R1629	401 022 6702	CARBON 75 JA 1/4W
Q1605	405 004 4007	TR 2SA608-E-SPA-AC	R1630	401 022 1806	CARBON 680 JA 1/4W
OR	405 004 4601	TR 2SA608-F-SPA-AC	R1631	401 021 0602	CARBON 56 JA 1/4W
OR	405 006 1707	TR 2SA933S-TP-Q	R1635	401 022 6702	CARBON 75 JA 1/4W
OR	405 006 1806	TR 2SA933S-T93-R	R1636	401 022 1806	CARBON 680 JA 1/4W
OR	405 093 0508	TR KSA1175-Y	R1637	401 021 0602	CARBON 56 JA 1/4W
Q1608	405 004 4007	TR 2SA608-E-SPA-AC	R1656	401 012 6903	CARBON 10K JA 1/4W
OR	405 004 4601	TR 2SA608-F-SPA-AC	R1659	401 020 2805	CARBON 47K JA 1/4W
OR	405 006 1707	TR 2SA933S-TP-Q	R1660	401 017 2702	CARBON 27K JA 1/4W
OR	405 006 1806	TR 2SA933S-T93-R	R1661	401 014 5102	CARBON 15K JA 1/4W
OR	405 093 0508	TR KSA1175-Y	R1662	401 013 5202	CARBON 1.2K JA 1/4W
Q1610	405 004 4007	TR 2SA608-E-SPA-AC	R1663	401 020 1907	CARBON 4.7K JA 1/4W
OR	405 004 4601	TR 2SA608-F-SPA-AC	R1664	401 020 0702	CARBON 470 JA 1/4W
OR	405 006 1707	TR 2SA933S-TP-Q	R1665	401 020 0702	CARBON 470 JA 1/4W
OR	405 006 1806	TR 2SA933S-T93-R	R1666	401 018 2701	CARBON 330 JA 1/4W
OR	405 093 0508	TR KSA1175-Y	R1667	401 012 5609	CARBON 1K JA 1/4W
Q1617	405 019 2005	TR 2SC536-E-SPA-AC	R1668	401 020 2805	CARBON 47K JA 1/4W
OR	405 019 2807	TR 2SC536-F-SPA-AC	R1669	401 018 3708	CARBON 3.3K JA 1/4W
OR	405 011 8401	TR 2SC1740S-DCTP-Q	R1670	401 012 5609	CARBON 1K JA 1/4W
OR	405 011 8500	TR 2SC1740S-DCTP-R	R1671	401 012 8006	CARBON 100K JA 1/4W
OR	405 093 0607	TR KSC2785-Y	R1672	401 018 5702	CARBON 330K JA 1/4W
Q1618	405 016 0905	TR 2SC2839-E-SPA-AC	R1674	401 012 6903	CARBON 10K JA 1/4W
OR	405 016 1100	TR 2SC2839-F-SPA-AC	R1675	401 018 4804	CARBON 33K JA 1/4W
OR	405 015 2504	TR 2SC2669-D-TPE4	R1677	401 023 6909	CARBON 910 JA 1/4W
OR	405 015 2603	TR 2SC2669-Y-TPE4	R1678	401 021 2903	CARBON 5.6K JA 1/4W
Q1619	405 019 2005	TR 2SC536-E-SPA-AC	R1679	401 013 9408	CARBON 1.3K JA 1/4W
OR	405 019 2807	TR 2SC536-F-SPA-AC	R1680	401 012 5609	CARBON 1K JA 1/4W
OR	405 011 8401	TR 2SC1740S-DCTP-Q	R1681	401 023 1607	CARBON 820 JA 1/4W
OR	405 011 8500	TR 2SC1740S-DCTP-R	R1682	401 015 2605	CARBON 1.8K JA 1/4W
OR	405 093 0607	TR KSC2785-Y	R1683	401 021 1807	CARBON 560 JA 1/4W
Q1620	405 019 2005	TR 2SC536-E-SPA-AC	R1685	401 017 1705	CARBON 2.7K JA 1/4W
OR	405 019 2807	TR 2SC536-F-SPA-AC	R1686	401 020 1907	CARBON 4.7K JA 1/4W
OR	405 011 8401	TR 2SC1740S-DCTP-Q	R1687	401 012 6903	CARBON 10K JA 1/4W
OR	405 011 8500	TR 2SC1740S-DCTP-R	R1689	401 012 6903	CARBON 10K JA 1/4W
OR	405 093 0607	TR KSC2785-Y	R1690	401 014 2804	CARBON 150 JA 1/4W
Q1621	405 016 0905	TR 2SC2839-E-SPA-AC	R1691	401 012 5609	CARBON 1K JA 1/4W
OR	405 016 1100	TR 2SC2839-F-SPA-AC	R1692	401 012 6903	CARBON 10K JA 1/4W
OR	405 015 2603	TR 2SC2669-Y-TPE4	R1693	401 022 1806	CARBON 680 JA 1/4W
OR	405 015 2504	TR 2SC2669-D-TPE4	R1694	401 022 1806	CARBON 680 JA 1/4W
Q1622	405 019 2005	TR 2SC536-E-SPA-AC			
OR	405 019 2807	TR 2SC536-F-SPA-AC			
OR	405 011 8401	TR 2SC1740S-DCTP-Q			
OR	405 011 8500	TR 2SC1740S-DCTP-R			
OR	405 093 0607	TR KSC2785-Y			
Q1623	405 004 4007	TR 2SA608-E-SPA-AC			
OR	405 004 4601	TR 2SA608-F-SPA-AC			
OR	405 006 1707	TR 2SA933S-TP-Q			
OR	405 006 1806	TR 2SA933S-T93-R			
OR	405 093 0508	TR KSA1175-Y			
Q1624	405 004 4007	TR 2SA608-E-SPA-AC			
OR	405 004 4601	TR 2SA608-F-SPA-AC			
OR	405 006 1707	TR 2SA933S-TP-Q			
OR	405 006 1806	TR 2SA933S-T93-R			
OR	405 093 0508	TR KSA1175-Y			
R1601	401 012 5609	CARBON 1K JA 1/4W			
R1603	401 020 1907	CARBON 4.7K JA 1/4W			
			AUDIO CIRCUIT(AD-A)		
				613 109 2853	HOLDER
				613 053 8000	FIXER
			B2003	405 099 7808	TR DTC343TL TL2
			B2004	405 099 7808	TR DTC343TL TL2
			B2103	405 076 6404	TR DTC343T-STP
			B2104	405 099 7808	TR DTC343TL TL2
			B2201	405 063 9708	TR DTC144EL-TL2
			B2202	405 063 9302	TR DTA124EL-TL2
			B2203	405 018 2501	TR 2SC3399-AC
			OR	405 000 6104	TR DTC144ES-DCTP
			B2204	405 018 2501	TR 2SC3399-AC
			OR	405 000 6104	TR DTC144ES-DCTP
			B2205	405 018 2501	TR 2SC3399-AC
			OR	405 000 6104	TR DTC144ES-DCTP

LOCATION	PARTS NO.	DESCRIPTION	UNIT	QTY	PRICE	LOCATION	PARTS NO.	DESCRIPTION	UNIT	QTY	PRICE
B2206	405 018 2501	TR 2SC3399-AC	TR	100		C2025	403 073 7004	CERAMIC	470P K	50V	
OR	405 000 6104	TR DTC144ES-DCTP	TR	100		C2101	403 121 3408	ELECT	2.2U M	50V	
B2207	405 003 7702	TR 2SA1348-AC	TR	100		C2102	403 121 3408	ELECT	2.2U M	50V	
OR	405 000 1208	TR DTA124ES-DCTP	TR	100		C2103	403 121 3408	ELECT	2.2U M	50V	
B2208	405 018 2501	TR 2SC3399-AC	TR	100		C2104	403 001 1609	CERAMIC	0.01U K	16V	
OR	405 000 6104	TR DTC144ES-DCTP	TR	100		C2105	403 129 5602	ELECT	33U M	10V	
B2209	405 003 7702	TR 2SA1348-AC	TR	100		C2106	403 107 9905	ELECT	100U M	16V	
OR	405 000 1208	TR DTA124ES-DCTP	TR	100		C2107	403 107 9509	ELECT	100U M	10V	
B2210	405 018 2501	TR 2SC3399-AC	TR	100		C2108	403 135 5009	ELECT	47U M	10V	
OR	405 000 6104	TR DTC144ES-DCTP	TR	100		C2109	403 134 9602	ELECT	47U M	16V	
B2212	405 003 7702	TR 2SA1348-AC	TR	100		C2110	403 107 9905	ELECT	100U M	16V	
OR	405 000 1208	TR DTA124ES-DCTP	TR	100		C2111	403 129 5602	ELECT	33U M	10V	
B2214	405 063 9708	TR DTC144EL-TL2	TR	100		C2112	403 001 1609	CERAMIC	0.01U K	16V	
B2215	405 018 2501	TR 2SC3399-AC	TR	100		C2113	403 134 8100	ELECT	100U M	6.3V	
OR	405 000 6104	TR DTC144ES-DCTP	TR	100		C2114	403 069 1207	CERAMIC	1000P K	50V	
B2218	405 018 2808	TR 2SC3402-AC	TR	100		C2115	403 073 7004	CERAMIC	470P K	50V	
OR	405 000 3103	TR DTC114ES-DCTP	TR	100		C2118	403 001 1609	CERAMIC	0.01U K	16V	
B2219	405 018 2501	TR 2SC3399-AC	TR	100		C2119	403 135 3500	ELECT	220U M	6.3V	
OR	405 000 6104	TR DTC144ES-DCTP	TR	100		C2120	403 134 9602	ELECT	47U M	16V	
B2302	405 018 2501	TR 2SC3399-AC	TR	100		C2121	403 073 7004	CERAMIC	470P K	50V	
OR	405 000 6104	TR DTC144ES-DCTP	TR	100		C2125	403 073 7004	CERAMIC	470P K	50V	
B2303	405 018 2501	TR 2SC3399-AC	TR	100		C2201	403 193 7908	ELECT	33U M	25V	
OR	405 000 6104	TR DTC144ES-DCTP	TR	100		C2202	403 134 9602	ELECT	47U M	16V	
B2304	405 003 7702	TR 2SA1348-AC	TR	100		C2203	403 121 3002	ELECT	47U M	25V	
OR	405 000 1208	TR DTA124ES-DCTP	TR	100		C2204	403 125 5606	ELECT	100U M	16V	
B2381	405 063 9708	TR DTC144EL-TL2	TR	100		C2205	403 001 1609	CERAMIC	0.01U K	16V	
B2382	405 063 9104	TR DTA144EL-TL2	TR	100		C2206	403 069 1207	CERAMIC	1000P K	50V	
B2383	405 063 9708	TR DTC144EL-TL2	TR	100		C2207	403 073 6205	CERAMIC	470P J	50V	
B2384	405 063 9708	TR DTC144EL-TL2	TR	100		C2208	403 167 6500	ELECT	33U M	6.3V	
B2385	405 018 2501	TR 2SC3399-AC	TR	100		C2209	403 121 3002	ELECT	4.7U M	25V	
OR	405 000 6104	TR DTC144ES-DCTP	TR	100		C2210	403 107 9905	ELECT	10U M	16V	
B2389	405 018 2501	TR 2SC3399-AC	TR	100		C2211	403 189 2405	ELECT	10U M	16V	
OR	405 000 6104	TR DTC144ES-DCTP	TR	100		C2213	403 191 8808	ELECT	22U M	50V	
B2390	405 018 2501	TR 2SC3399-AC	TR	100		C2214	403 134 9602	ELECT	47U M	16V	
OR	405 000 6104	TR DTC144ES-DCTP	TR	100		C2215	403 001 1609	CERAMIC	0.01U K	16V	
B2391	405 018 2501	TR 2SC3399-AC	TR	100		C2216	403 069 1207	CERAMIC	1000P K	50V	
OR	405 000 6104	TR DTC144ES-DCTP	TR	100		C2217	403 003 6701	CERAMIC	0.033U K	25V	
B2392	405 018 2501	TR 2SC3399-AC	TR	100		C2218	403 125 5606	ELECT	100U M	16V	
OR	405 000 6104	TR DTC144ES-DCTP	TR	100		C2219	403 001 1609	CERAMIC	0.01U K	16V	
B2393	405 018 2501	TR 2SC3399-AC	TR	100		C2220	403 134 8100	ELECT	100U M	6.3V	
OR	405 000 6104	TR DTC144ES-DCTP	TR	100		C2221	403 107 9905	ELECT	10U M	16V	
B2394	405 018 2501	TR 2SC3399-AC	TR	100		C2230	403 001 1609	CERAMIC	0.01U K	16V	
OR	405 000 6104	TR DTC144ES-DCTP	TR	100		C2234	403 028 3402	CERAMIC	56P J	50V	
B2395	405 018 2501	TR 2SC3399-AC	TR	100		C2236	403 191 8808	ELECT	22U M	50V	
OR	405 000 6104	TR DTC144ES-DCTP	TR	100		C2301	403 047 1007	ELECT	4.7U M	25V	
B2396	405 018 2501	TR 2SC3399-AC	TR	100		C2302	403 003 2802	CERAMIC	0.022U K	25V	
OR	405 000 6104	TR DTC144ES-DCTP	TR	100		C2303	403 001 7403	CERAMIC	4700P K	16V	
B2397	405 018 2501	TR 2SC3399-AC	TR	100		C2304	403 071 6207	CERAMIC	220P K	50V	
OR	405 000 6104	TR DTC144ES-DCTP	TR	100		C2305	403 075 4506	CERAMIC	820P K	50V	
C2001	403 121 3408	ELECT	2.2U M	50V		C2306	403 075 4506	CERAMIC	820P K	50V	
C2002	403 121 3408	ELECT	2.2U M	50V		C2307	403 191 8709	ELECT	1U M	50V	
C2003	403 121 3408	ELECT	2.2U M	50V		C2308	403 069 1207	CERAMIC	1000P K	50V	
C2004	403 001 1609	CERAMIC	0.01U K	16V		C2309	403 191 8709	ELECT	1U M	50V	
C2005	403 129 5602	ELECT	33U M	10V		C2310	403 167 6500	ELECT	33U M	6.3V	
C2006	403 107 9905	ELECT	10U M	16V		C2311	403 003 0600	CERAMIC	0.018U K	25V	
C2007	403 107 9509	ELECT	100U M	10V		C2312	403 193 8400	ELECT	0.022U M	50V	
C2008	403 135 5009	ELECT	47U M	10V		C2313	403 001 7007	CERAMIC	3900P K	16V	
C2009	403 134 9602	ELECT	47U M	16V		C2314	403 191 8600	ELECT	4.7U M	25V	
C2010	403 107 9905	ELECT	10U M	16V		C2315	403 163 7907	ELECT	47U M	6.3V	
C2011	403 129 5602	ELECT	33U M	10V		C2316	403 189 2405	ELECT	10U M	16V	
C2012	403 001 1609	CERAMIC	0.01U K	16V		C2317	403 003 6503	CERAMIC	0.033U J	25V	
C2013	403 134 8100	ELECT	100U M	6.3V		C2319	403 003 2406	CERAMIC	0.022U J	25V	
C2014	403 069 1207	CERAMIC	1000P K	50V		C2320	403 215 9606	ELECT	47U M	50V	
C2015	403 073 7004	CERAMIC	470P K	50V		C2321	403 001 1609	CERAMIC	0.01U K	16V	
C2018	403 001 1609	CERAMIC	0.01U K	16V		C2322	403 001 1609	CERAMIC	0.01U K	16V	
C2019	403 135 3500	ELECT	220U M	6.3V		C2323	403 191 8800	ELECT	4.7U M	25V	
C2020	403 134 9602	ELECT	47U M	16V		C2324	403 149 0700	ELECT	33U M	16V	
C2021	403 073 7004	CERAMIC	470P K	50V		C2325	403 191 8600	ELECT	4.7U M	25V	
						C2326	403 163 8409	ELECT	47U M	16V	



LOCATION	PARTS NO.	DESCRIPTION	LOCATION	PARTS NO.	DESCRIPTION
C2327	403 003 3700	CERAMIC 0.022U Z 25V	IC233	409 110 4302	IC M51131L
C2328	403 082 4209	POLYPRO 6800P J 100V	L2001	613 015 6730	COIL,INDUCTOR 100UHK
C2381	403 047 1007	ELECT 4.7U M 25V	L2101	613 015 6730	COIL,INDUCTOR 100UHK
C2382	403 001 1609	CERAMIC 0.01U K 16V	L2301	613 014 2870	COIL,INDUCTOR 560UHK
C2383	403 001 1609	CERAMIC 0.01U K 16V	L2302	613 014 3037	COIL,INDUCTOR 10MHJ
C2384	403 082 1604	POLYPRO 0.047U J 100V	Q2001	405 019 2807	TR 2SC536-F-SPA-AC
C2390	403 191 8600	ELECT 4.7U M 25V	OR	405 019 3903	TR 2SC536-G-SPA-AC
C2391	403 149 0700	ELECT 33U M 16V	Q2101	405 019 2807	TR 2SC536-F-SPA-AC
C2392	403 191 8709	ELECT 1U M 50V	OR	405 019 3903	TR 2SC536-G-SPA-AC
C2393	403 191 8709	ELECT 1U M 50V	Q2202	405 007 3106	TR 2SB544-F-MP-AE
C2394	403 167 7002	ELECT 4.7U M 50V	Q2203	405 089 2103	TR 2SC4483-S-AN
C2395	403 150 6500	ELECT 22U M 16V	Q2301	405 019 2708	TR 2SC536-F-NP-AA
C2396	403 191 8600	ELECT 4.7U M 25V	Q2381	405 019 2708	TR 2SC536-F-NP-AA
D2201	407 012 4406	DIODE 1SS133-T-77	Q2382	405 004 4502	TR 2SA608-F-NP-AA
OR	407 007 9904	DIODE GMA01-BT	Q2391	405 033 6706	TR 2SD1468S-DCTP-R
D2202	407 012 4406	DIODE 1SS133-T-77	R2001	401 017 2702	CARBON 27K JA 1/4W
OR	407 007 9904	DIODE GMA01-BT	R2002	401 021 4006	CARBON 56K JA 1/4W
D2204	407 012 4406	DIODE 1SS133-T-77	R2003	401 015 3701	CARBON 18K JA 1/4W
OR	407 007 9904	DIODE GMA01-BT	R2004	401 020 2805	CARBON 47K JA 1/4W
D2205	407 012 4406	DIODE 1SS133-T-77	R2005	401 017 2702	CARBON 27K JA 1/4W
OR	407 007 9904	DIODE GMA01-BT	R2006	401 021 4006	CARBON 56K JA 1/4W
D2208	407 012 4406	DIODE 1SS133-T-77	R2007	401 012 5609	CARBON 1K JA 1/4W
OR	407 007 9904	DIODE GMA01-BT	R2008	401 012 6903	CARBON 10K JA 1/4W
D2209	407 053 6308	ZENER DIODE MTZ5.1B-T-77	R2009	401 020 8302	CARBON 5.1K JA 1/4W
D2210	407 012 4406	DIODE 1SS133-T-77	R2010	401 012 5609	CARBON 1K JA 1/4W
OR	407 007 9904	DIODE GMA01-BT	R2011	401 013 5202	CARBON 1.2K JA 1/4W
D2211	407 012 4406	DIODE 1SS133-T-77	R2012	401 017 2702	CARBON 27K JA 1/4W
OR	407 007 9904	DIODE GMA01-BT	R2013	401 087 2909	MT-FILM 12K FD 1/6W
D2216	407 012 4406	DIODE 1SS133-T-77	R2014	401 016 8408	CARBON 24K JA 1/4W
OR	407 007 9904	DIODE GMA01-BT	R2015	401 016 9603	CARBON 27 JA 1/4W
D2217	407 012 4406	DIODE 1SS133-T-77	R2016	401 016 3700	CARBON 2.2K JA 1/4W
OR	407 007 9904	DIODE GMA01-BT	R2017	401 016 2505	CARBON 220 JA 1/4W
D2220	407 012 4406	DIODE 1SS133-T-77	R2019	401 012 6903	CARBON 10K JA 1/4W
OR	407 007 9904	DIODE GMA01-BT	R2021	401 012 6903	CARBON 10K JA 1/4W
D2221	407 012 4406	DIODE 1SS133-T-77	R2022	401 021 4006	CARBON 56K JA 1/4W
OR	407 007 9904	DIODE GMA01-BT	R2025	401 012 5609	CARBON 1K JA 1/4W
D2310	407 012 4406	DIODE 1SS133-T-77	R2101	401 017 2702	CARBON 27K JA 1/4W
OR	407 007 9904	DIODE GMA01-BT	R2102	401 021 4006	CARBON 56K JA 1/4W
D2311	407 012 4406	DIODE 1SS133-T-77	R2103	401 015 3701	CARBON 18K JA 1/4W
OR	407 007 9904	DIODE GMA01-BT	R2104	401 020 2805	CARBON 47K JA 1/4W
D2312	407 012 4406	DIODE 1SS133-T-77	R2105	401 017 2702	CARBON 27K JA 1/4W
OR	407 007 9904	DIODE GMA01-BT	R2106	401 021 4006	CARBON 56K JA 1/4W
D2381	407 012 4406	DIODE 1SS133-T-77	R2107	401 012 5609	CARBON 1K JA 1/4W
OR	407 007 9904	DIODE GMA01-BT	R2108	401 012 6903	CARBON 10K JA 1/4W
D2382	407 012 4406	DIODE 1SS133-T-77	R2109	401 020 8302	CARBON 5.1K JA 1/4W
OR	407 007 9904	DIODE GMA01-BT	R2110	401 012 5609	CARBON 1K JA 1/4W
D2383	407 012 4406	DIODE 1SS133-T-77	R2111	401 013 5202	CARBON 1.2K JA 1/4W
OR	407 007 9904	DIODE GMA01-BT	R2112	401 017 2702	CARBON 27K JA 1/4W
D2385	407 012 4406	DIODE 1SS133-T-77	R2113	401 091 3305	MT-FILM 7.5K FD 1/6W
OR	407 007 9904	DIODE GMA01-BT	R2114	401 023 7401	CARBON 9.1K JA 1/4W
D2386	407 012 4406	DIODE 1SS133-T-77	R2115	401 016 9603	CARBON 27 JA 1/4W
OR	407 007 9904	DIODE GMA01-BT	R2116	401 016 3700	CARBON 2.2K JA 1/4W
D2387	407 012 4406	DIODE 1SS133-T-77	R2117	401 016 2505	CARBON 220 JA 1/4W
OR	407 007 9904	DIODE GMA01-BT	R2119	401 012 6903	CARBON 10K JA 1/4W
D2391	407 012 4406	DIODE 1SS133-T-77	R2121	401 012 6903	CARBON 10K JA 1/4W
OR	407 007 9904	DIODE GMA01-BT	R2122	401 021 4006	CARBON 56K JA 1/4W
D2392	407 012 4406	DIODE 1SS133-T-77	R2125	401 012 5609	CARBON 1K JA 1/4W
OR	407 007 9904	DIODE GMA01-BT	R2201	401 020 1907	CARBON 4.7K JA 1/4W
D2393	407 012 4406	DIODE 1SS133-T-77	R2202	401 016 3700	CARBON 2.2K JA 1/4W
OR	407 007 9904	DIODE GMA01-BT	R2203	401 012 6903	CARBON 10K JA 1/4W
D2394	407 012 4406	DIODE 1SS133-T-77	R2204	401 012 6903	CARBON 10K JA 1/4W
OR	407 007 9904	DIODE GMA01-BT	R2205	401 013 6308	CARBON 12K JA 1/4W
IC201	409 226 4906	IC UPC2354GF	R2206	401 012 5609	CARBON 1K JA 1/4W
IC202	409 036 8309	IC M5236L-TC04A-31	R2207	401 018 3708	CARBON 3.3K JA 1/4W
IC203	409 039 7101	IC NJM4556D	R2208	401 013 6308	CARBON 12K JA 1/4W
IC231	409 133 1401	IC LA7294	R2209	401 012 6903	CARBON 10K JA 1/4W
IC232	409 018 7603	IC LA7016			

LOCATION	PARTS NO.	DESCRIPTION	QUANTITY	UNIT	LOCATION	PARTS NO.	DESCRIPTION	QUANTITY	UNIT
R2210	401 012 8006	CARBON	100K	JA 1/4W	R2383	401 012 3308	CARBON	10K	JA 1/4W
R2211	401 012 6903	CARBON	10K	JA 1/4W	R2384	401 023 2703	CARBON	8.2K	JA 1/4W
R2212	401 014 5102	CARBON	15K	JA 1/4W	R2385	401 023 2703	CARBON	8.2K	JA 1/4W
R2215	401 020 1907	CARBON	4.7K	JA 1/4W	R2386	401 018 1506	CARBON	33K	JA 1/4W
R2216	401 012 6903	CARBON	10K	JA 1/4W	R2387	401 012 6903	CARBON	10K	JA 1/4W
R2217	401 015 1509	CARBON	180	JA 1/4W	R2388	401 012 6903	CARBON	10K	JA 1/4W
R2218	401 016 2505	CARBON	220	JA 1/4W	R2389	401 016 4707	CARBON	22K	JA 1/4W
R2219	401 019 2908	CARBON	39K	JA 1/4W	R2390	401 021 4006	CARBON	56K	JA 1/4W
R2220	401 016 4707	CARBON	22K	JA 1/4W	R2391	401 020 2805	CARBON	47K	JA 1/4W
R2221	401 017 9701	CARBON	30K	JA 1/4W	R2392	401 020 1907	CARBON	4.7K	JA 1/4W
R2222	401 020 1907	CARBON	4.7K	JA 1/4W	R2393	401 012 6903	CARBON	10K	JA 1/4W
R2223	401 013 5202	CARBON	1.2K	JA 1/4W	R2394	401 016 4707	CARBON	22K	JA 1/4W
R2224	401 012 8006	CARBON	100K	JA 1/4W	R2395	401 016 4707	CARBON	22K	JA 1/4W
R2225	401 018 4804	CARBON	33K	JA 1/4W	R2396	401 023 2703	CARBON	8.2K	JA 1/4W
R2226	401 017 2702	CARBON	27K	JA 1/4W	R2397	401 020 1907	CARBON	4.7K	JA 1/4W
R2228	401 013 6308	CARBON	12K	JA 1/4W	R2398	401 021 8905	CARBON	6.2K	JA 1/4W
R2229	401 016 4707	CARBON	22K	JA 1/4W	R2399	401 021 8905	CARBON	6.2K	JA 1/4W
R2231	401 012 5609	CARBON	1K	JA 1/4W					
R2234	401 016 2505	CARBON	220	JA 1/4W	T2301	613 109 3492	TRANS. OSC		
R2235	401 014 5102	CARBON	15K	JA 1/4W	T2381	613 109 3485	TRANS. OSC		
R2236	401 019 7705	CARBON	4.3K	JA 1/4W					
R2237	401 018 4804	CARBON	33K	JA 1/4W	VR201	613 001 9097	SEMI VR 100KB		
R2238	401 014 4006	CARBON	1.5K	JA 1/4W	OR	613 097 7915	VR SEMI 100KB		
R2240	401 012 5609	CARBON	1K	JA 1/4W	VR233	613 001 8618	SEMI VR 10KB		
R2242	401 012 9201	CARBON	1M	JA 1/4W	VR234	613 001 8618	SEMI VR 10KB		
R2253	401 016 3700	CARBON	2.2K	JA 1/4W	VR235	613 001 9417	SEMI VR 10KB		
R2254	401 019 1802	CARBON	3.9K	JA 1/4W	OR	613 079 2532	VR SEMI 10KB		
R2255	401 020 1907	CARBON	4.7K	JA 1/4W	VR236	613 001 9417	SEMI VR 10KB		
R2256	401 019 0904	CARBON	390	JA 1/4W	OR	613 079 2532	VR SEMI 10KB		
R2276	401 012 6903	CARBON	10K	JA 1/4W	VR239	613 001 9400	SEMI VR 5KB		
R2283	401 087 4804	MT-FILM	8.2K	FD 1/6W	OR	613 112 4912	VR SEMI 5KB		
R2288	401 014 4006	CARBON	1.5K	JA 1/4W	VR243	613 001 8656	SEMI VR 100KB		
R2301	401 016 4707	CARBON	22K	JA 1/4W					
R2302	401 019 9501	CARBON	47	JA 1/4W					
R2303	401 016 2505	CARBON	220	JA 1/4W					
R2304	401 017 1705	CARBON	2.7K	JA 1/4W					
R2305	401 013 4106	CARBON	120	JA 1/4W	B3001	405 018 2808	TR 2SC3402-AC		
R2306	401 013 4106	CARBON	120	JA 1/4W	B3002	405 018 2808	TR 2SC3402-AC		
R2307	401 019 3905	CARBON	390K	JA 1/4W	B3153	405 018 2501	TR 2SC3399-AC		
R2308	401 021 8905	CARBON	6.2K	JA 1/4W	B3201	405 018 2501	TR 2SC3399-AC		
R2309	401 017 1705	CARBON	2.7K	JA 1/4W	B3301	405 018 2501	TR 2SC3399-AC		
R2310	401 017 4508	CARBON	2.7M	JA 1/4W	B3401	405 018 2501	TR 2SC3399-AC		
R2311	401 018 4804	CARBON	33K	JA 1/4W	B3402	405 018 2808	TR 2SC3402-AC		
R2312	401 016 4707	CARBON	22K	JA 1/4W					
R2313	401 023 7401	CARBON	9.1K	JA 1/4W	C3002	403 069 1207	CERAMIC	1000P K	50V
R2314	401 012 5609	CARBON	1K	JA 1/4W	C3041	403 001 1906	CERAMIC	0.01U M	16V
R2315	401 012 5609	CARBON	1K	JA 1/4W	C3042	403 001 1906	CERAMIC	0.01U M	16V
R2316	401 014 5102	CARBON	15K	JA 1/4W	C3051	403 142 5702	NP-ELECT	10U M	25V
R2317	401 015 2605	CARBON	1.8K	JA 1/4W	C3052	403 069 1207	CERAMIC	1000P K	50V
R2318	401 021 2903	CARBON	5.6K	JA 1/4W	C3053	403 142 5702	NP-ELECT	10U M	25V
R2319	401 020 1907	CARBON	4.7K	JA 1/4W	C3054	403 069 1207	CERAMIC	1000P K	50V
R2320	401 018 4804	CARBON	33K	JA 1/4W	C3071	403 167 6500	ELECT	33U M	6.3V
R2321	401 015 3701	CARBON	18K	JA 1/4W	C3072	403 001 3108	CERAMIC	0.1U Z	16V
R2322	401 020 2805	CARBON	47K	JA 1/4W	C3073	403 001 3108	CERAMIC	0.1U Z	16V
R2323	401 012 8006	CARBON	100K	JA 1/4W	C3074	403 134 8100	ELECT	100U M	6.3V
R2324	401 023 2703	CARBON	8.2K	JA 1/4W	C3081	403 002 2506	CERAMIC	0.01U M	25V
R2325	401 020 1907	CARBON	4.7K	JA 1/4W	C3082	403 121 9509	CERAMIC	0.1U Z	50V
R2326	401 016 5704	CARBON	220K	JA 1/4W	C3083	403 191 8808	ELECT	2.2U M	50V
R2327	401 012 6903	CARBON	10K	JA 1/4W	C3100	403 155 2804	DL-ELECT	0.047F Z	5.5V
R2328	401 019 6104	CARBON	4.7K	JA 1/4W	C3201	403 140 9306	NP-ELECT	3.3U M	25V
R2330	401 020 8302	CARBON	5.1K	JA 1/4W					
R2332	401 017 1705	CARBON	2.7K	JA 1/4W	D3001	407 007 9904	DIODE GMA01-BT		
R2341	401 012 5609	CARBON	1K	JA 1/4W	OR	407 012 4406	DIODE 1SS133-T-77		
R2355	401 012 4404	CARBON	100	JA 1/4W	D3051	407 007 9904	DIODE GMA01-BT		
R2378	401 020 2805	CARBON	47K	JA 1/4W	OR	407 012 4406	DIODE 1SS133-T-77		
R2379	401 012 6903	CARBON	10K	JA 1/4W	D3052	407 007 9904	DIODE GMA01-BT		
R2380	401 013 5202	CARBON	1.2K	JA 1/4W	OR	407 012 4406	DIODE 1SS133-T-77		
R2381	401 014 5102	CARBON	15K	JA 1/4W	D3065	407 007 9904	DIODE GMA01-BT		
R2382	401 019 9501	CARBON	47	JA 1/4W	OR	407 012 4406	DIODE 1SS133-T-77		
					D3081	407 070 8101	ZENER DIODE 6ZS8.2Y-BT		

LOCATION	PARTS NO.	DESCRIPTION	LOCATION	PARTS NO.	DESCRIPTION
D3081	407 063 9504	ZENER DIODE MTZJ8.2B-T-77	R3100	401 016 5704	CARBON 220K JA 1/4W
D3082	407 051 6904	ZENER DIODE GZSS.6Y-BT	R3101	401 016 5704	CARBON 220K JA 1/4W
OR	407 099 5303	ZENER DIODE MTZJ5.6B-T-77	R3102	401 016 5704	CARBON 220K JA 1/4W
D3201	407 012 4406	DIODE 1SS133-T-77	R3103	401 016 5704	CARBON 220K JA 1/4W
D3301	407 007 9904	DIODE 6MA01-BT	R3104	401 016 5704	CARBON 220K JA 1/4W
OR	407 012 4406	DIODE 1SS133-T-77	R3126	401 014 4006	CARBON 1.5K JA 1/4W
IC301	410 106 9805	IC UPD755166F-176-3B9	R3127	401 019 1802	CARBON 3.9K JA 1/4W
IC302	409 032 3704	IC MN1280-R	R3149	401 014 4006	CARBON 1.5K JA 1/4W
OR	409 032 3803	IC MN1280-S	R3177	401 012 6903	CARBON 10K JA 1/4W
OR	409 243 4200	IC MN1380-R	R3186	401 012 5609	CARBON 1K JA 1/4W
OR	409 243 4309	IC MN1380-S	R3190	401 019 1802	CARBON 3.9K JA 1/4W
IC303	409 114 4803	IC LB1641	R3191	401 020 1907	CARBON 4.7K JA 1/4W
Q3001	405 019 2005	TR 2SC536-E-SPA-AC	R3192	401 023 4509	CARBON 820K JA 1/4W
OR	405 019 2807	TR 2SC536-F-SPA-AC	R3201	401 016 3700	CARBON 2.2K JA 1/4W
Q3002	405 019 2005	TR 2SC536-E-SPA-AC	R3301	401 012 8006	CARBON 100K JA 1/4W
OR	405 019 2807	TR 2SC536-F-SPA-AC	R3302	401 018 4804	CARBON 33K JA 1/4W
Q3401	405 019 2005	TR 2SC536-E-SPA-AC	R3401	401 020 1907	CARBON 4.7K JA 1/4W
OR	405 019 2807	TR 2SC536-F-SPA-AC	R3402	401 012 8006	CARBON 100K JA 1/4W
R3005	401 021 2903	CARBON 5.6K JA 1/4W	R3403	401 012 6903	CARBON 10K JA 1/4W
R3006	401 012 6903	CARBON 10K JA 1/4W	XF301	613 097 9698	RESONATOR,CERAMIC 4.0MHZ
R3009	401 020 1907	CARBON 4.7K JA 1/4W	OR	613 108 2496	RESONATOR,CERAMIC 4.0MHZ
R3012	401 022 3008	CARBON 6.8K JA 1/4W	OR	613 079 7414	CERAMIC RESONATOR 4.0MHZ
R3013	401 022 3008	CARBON 6.8K JA 1/4W	SERVO CIRCUIT(SV-A)		
R3015	401 020 1907	CARBON 4.7K JA 1/4W	B3501	405 063 9708	TR DTC144EL-TL2
R3021	401 012 5609	CARBON 1K JA 1/4W	B3503	405 018 2501	TR 2SC3399-AC
R3022	401 012 5609	CARBON 1K JA 1/4W	B3508	405 003 7603	TR 2SA1345-AC
R3026	401 012 5609	CARBON 1K JA 1/4W	B3509	405 003 7603	TR 2SA1345-AC
R3027	401 014 5102	CARBON 15K JA 1/4W	B3520	405 018 2501	TR 2SC3399-AC
R3031	401 012 5609	CARBON 1K JA 1/4W	B3601	405 063 9708	TR DTC144EL-TL2
R3032	401 012 5609	CARBON 1K JA 1/4W	B3702	405 018 2501	TR 2SC3399-AC
R3033	401 012 5609	CARBON 1K JA 1/4W	C3501	403 059 6007	POLYESTER 0.022U K 50V
R3034	401 020 1907	CARBON 4.7K JA 1/4W	C3502	403 002 8300	CERAMIC 0.015U J 25V
R3035	401 020 1907	CARBON 4.7K JA 1/4W	C3503	403 004 3105	CERAMIC 6800P J 25V
R3036	401 020 1907	CARBON 4.7K JA 1/4W	C3505	403 002 8300	CERAMIC 0.015U J 25V
R3041	401 020 1907	CARBON 4.7K JA 1/4W	C3506	403 145 8601	ELECT 22U M 16V
R3042	401 016 0402	CARBON 200K JA 1/4W	C3507	403 145 8601	ELECT 22U M 16V
R3043	401 016 0402	CARBON 200K JA 1/4W	C3508	403 001 5003	CERAMIC 2200P K 16V
R3044	401 012 5609	CARBON 1K JA 1/4W	C3509	403 002 7006	CERAMIC 1500P J 25V
R3045	401 012 5609	CARBON 1K JA 1/4W	C3510	403 004 3105	CERAMIC 6800P J 25V
R3046	401 012 5609	CARBON 1K JA 1/4W	C3511	403 145 8601	ELECT 22U M 16V
R3051	401 020 1907	CARBON 4.7K JA 1/4W	C3512	403 145 8601	ELECT 22U M 16V
R3052	401 012 5609	CARBON 1K JA 1/4W	C3513	403 057 6801	POLYESTER 0.012U J 50V
R3053	401 016 5704	CARBON 220K JA 1/4W	C3514	403 071 6207	CERAMIC 220P K 50V
R3055	401 020 2805	CARBON 47K JA 1/4W	C3515	403 189 2405	ELECT 10U M 16V
R3056	401 018 4804	CARBON 33K JA 1/4W	C3516	403 193 7908	ELECT 3.3U M 25V
R3057	401 014 7106	CARBON 1.5M JA 1/4W	C3517	403 074 9205	CERAMIC 680P K 50V
R3058	401 016 4707	CARBON 22K JA 1/4W	C3518	403 163 6009	NP-ELECT 33U M 16V
R3059	401 020 2805	CARBON 47K JA 1/4W	C3519	403 069 1207	CERAMIC 1000P K 50V
R3060	401 018 4804	CARBON 33K JA 1/4W	C3520	403 061 3308	POLYESTER 0.039U J 50V
R3061	401 014 7106	CARBON 1.5M JA 1/4W	C3521	403 062 9200	POLYESTER 6800P J 50V
R3062	401 016 4707	CARBON 22K JA 1/4W	C3522	403 168 6103	MT-POLYEST 0.1U J 50V
R3065	401 017 2702	CARBON 27K JA 1/4W	C3523	403 175 0903	MT-POLYEST 0.12U J 50V
R3066	401 016 3700	CARBON 2.2K JA 1/4W	C3524	403 086 2805	NP-ELECT 1U M 50V
R3067	401 012 5609	CARBON 1K JA 1/4W	C3525	403 002 1905	CERAMIC 0.01U K 25V
R3068	401 023 4509	CARBON 820K JA 1/4W	C3526	403 086 2805	NP-ELECT 1U M 50V
R3070	401 017 3709	CARBON 270K JA 1/4W	C3527	403 002 1905	CERAMIC 0.01U K 25V
R3071	401 022 7105	CARBON 750 JA 1/4W	C3528	403 193 8400	ELECT 0.22U M 50V
R3081	401 012 6903	CARBON 10K JA 1/4W	C3529	403 002 0502	CERAMIC 1000P K 25V
R3082	401 012 6903	CARBON 10K JA 1/4W	C3530	403 191 8709	ELECT 1U M 50V
R3083	401 022 7105	CARBON 750 JA 1/4W	C3531	403 002 1905	CERAMIC 0.01U K 25V
R3084	402 036 4401	FUSIBLE RES 3.3 JA 1/2W	C3533	403 163 7907	ELECT 47U M 6.3V
OR	402 036 3701	FUSIBLE RES 3.3 JA 1/2W	C3536	403 001 3108	CERAMIC 0.1U Z 16V
R3085	401 012 6903	CARBON 10K JA 1/4W	C3537	403 001 3108	CERAMIC 0.1U Z 16V
R3086	401 012 6903	CARBON 10K JA 1/4W	C3538	403 163 7907	ELECT 47U M 6.3V
R3087	401 016 4707	CARBON 22K JA 1/4W	C3539	403 163 7907	ELECT 47U M 6.3V
R3088	401 016 4707	CARBON 22K JA 1/4W			

LOCATION	PARTS NO.	DESCRIPTION	QTY	UNIT	LOCATION	PARTS NO.	DESCRIPTION	QTY	UNIT
C3545	403 002 0502	CERAMIC 0041000P	25V	403545	IC372	409 051 3501	IC TC4066BP	1	PCB
C3546	403 061 7405	POLYESTER 004700P	50V	403546					
C3550	403 184 9508	MT-POLYEST 000680U	50V	403550	Q3501	405 057 6409	TR 2SC4038-R-TL2	1	PCB
C3551	403 070 4105	CERAMIC 007120P	50V	403551	Q3502	405 057 6409	TR 2SC4038-R-TL2	1	PCB
C3601	403 168 6103	MT-POLYEST 00011U	50V	403601	OR	405 019 2807	TR 2SC536-F-SPA-AC	1	PCB
C3602	403 062 0405	POLYESTER 000470U	50V	403602	Q3503	405 057 6409	TR 2SC4038-R-TL2	1	PCB
C3603	403 168 6103	MT-POLYEST 00011U	50V		OR	405 019 2807	TR 2SC536-F-SPA-AC	1	PCB
C3604	403 168 6103	MT-POLYEST 00011U	50V		Q3602	405 019 2807	TR 2SC536-F-SPA-AC	1	PCB
C3605	403 057 5200	POLYESTER 001200P	50V						
C3701	403 163 8409	ELECT 000470U	16V		R3501	401 018 4804	CARBON 33K JA	1/4W	PCB
C3702	403 001 3108	CERAMIC 000011U	16V		R3502	401 012 8006	CARBON 100K JA	1/4W	PCB
C3703	403 184 9607	MT-POLYEST 000820U	50V		R3503	401 012 8006	CARBON 100K JA	1/4W	PCB
D3504	407 007 9904	DIODE GMA01-BT			R3506	401 018 5702	CARBON 330K JA	1/4W	PCB
OR	407 012 4406	DIODE 1SS133-T-77			R3507	401 014 5102	CARBON 15K JA	1/4W	PCB
D3505	407 007 9904	DIODE GMA01-BT			R3508	401 014 6000	CARBON 150K JA	1/4W	PCB
OR	407 012 4406	DIODE 1SS133-T-77			R3509	401 020 2805	CARBON 47K JA	1/4W	PCB
D3506	407 007 9904	DIODE GMA01-BT			R3510	401 020 2805	CARBON 47K JA	1/4W	PCB
OR	407 012 4406	DIODE 1SS133-T-77			R3511	401 012 6903	CARBON 10K JA	1/4W	PCB
D3520	407 007 9904	DIODE GMA01-BT			R3512	401 018 5702	CARBON 330K JA	1/4W	PCB
OR	407 012 4406	DIODE 1SS133-T-77			R3513	401 017 2702	CARBON 27K JA	1/4W	PCB
D3521	407 007 9904	DIODE GMA01-BT			R3514	401 014 6000	CARBON 150K JA	1/4W	PCB
OR	407 012 4406	DIODE 1SS133-T-77			R3516	401 016 5704	CARBON 220K JA	1/4W	PCB
D3522	407 007 9904	DIODE GMA01-BT			R3520	401 021 9902	CARBON 620K JA	1/4W	PCB
OR	407 012 4406	DIODE 1SS133-T-77			R3521	401 022 8508	CARBON 750K JA	1/4W	PCB
D3523	407 007 9904	DIODE GMA01-BT			R3522	401 014 6000	CARBON 150K JA	1/4W	PCB
OR	407 012 4406	DIODE 1SS133-T-77			R3523	401 012 8006	CARBON 100K JA	1/4W	PCB
D3524	407 007 9904	DIODE GMA01-BT			R3524	401 012 8006	CARBON 100K JA	1/4W	PCB
OR	407 012 4406	DIODE 1SS133-T-77			R3525	401 018 7508	CARBON 360 JA	1/4W	PCB
D3525	407 007 9904	DIODE GMA01-BT			R3526	401 020 7800	CARBON 510 JA	1/4W	PCB
OR	407 012 4406	DIODE 1SS133-T-77			R3527	401 020 7800	CARBON 510 JA	1/4W	PCB
D3601	407 007 9904	DIODE GMA01-BT			R3528	401 014 6000	CARBON 150K JA	1/4W	PCB
OR	407 012 4406	DIODE 1SS133-T-77			R3529	401 012 6903	CARBON 10K JA	1/4W	PCB
D3602	407 007 9904	DIODE GMA01-BT			R3530	401 012 5609	CARBON 1K JA	1/4W	PCB
OR	407 012 4406	DIODE 1SS133-T-77			R3531	401 012 5609	CARBON 1K JA	1/4W	PCB
D3605	407 007 9904	DIODE GMA01-BT			R3532	401 016 3700	CARBON 2.2K JA	1/4W	PCB
OR	407 012 4406	DIODE 1SS133-T-77			R3533	401 016 3700	CARBON 2.2K JA	1/4W	PCB
D3606	407 007 9904	DIODE GMA01-BT			R3536	401 012 5609	CARBON 1K JA	1/4W	PCB
OR	407 012 4406	DIODE 1SS133-T-77			R3539	401 015 2605	CARBON 1.8K JA	1/4W	PCB
D3607	407 007 9904	DIODE GMA01-BT			R3540	401 012 8006	CARBON 100K JA	1/4W	PCB
OR	407 012 4406	DIODE 1SS133-T-77			R3542	401 023 4509	CARBON 820K JA	1/4W	PCB
D3608	407 007 9904	DIODE GMA01-BT			R3554	401 012 5609	CARBON 1K JA	1/4W	PCB
OR	407 012 4406	DIODE 1SS133-T-77			R3556	401 012 5609	CARBON 1K JA	1/4W	PCB
D3609	407 007 9904	DIODE GMA01-BT			R3557	401 019 1802	CARBON 3.9K JA	1/4W	PCB
OR	407 012 4406	DIODE 1SS133-T-77			R3562	401 012 5609	CARBON 1K JA	1/4W	PCB
D3610	407 007 9904	DIODE GMA01-BT			R3563	401 012 6903	CARBON 10K JA	1/4W	PCB
OR	407 012 4406	DIODE 1SS133-T-77			R3567	401 012 6903	CARBON 10K JA	1/4W	PCB
D3613	407 007 9904	DIODE GMA01-BT			R3569	401 012 6903	CARBON 10K JA	1/4W	PCB
OR	407 012 4406	DIODE 1SS133-T-77			R3580	401 016 4707	CARBON 22K JA	1/4W	PCB
D3614	407 007 9904	DIODE GMA01-BT			R3581	401 016 4707	CARBON 22K JA	1/4W	PCB
OR	407 012 4406	DIODE 1SS133-T-77			R3582	401 012 6903	CARBON 10K JA	1/4W	PCB
D3615	407 007 9904	DIODE GMA01-BT			R3583	401 012 5609	CARBON 1K JA	1/4W	PCB
OR	407 012 4406	DIODE 1SS133-T-77			R3584	401 013 6308	CARBON 12K JA	1/4W	PCB
D3616	407 007 9904	DIODE GMA01-BT			R3602	401 012 5609	CARBON 1K JA	1/4W	PCB
OR	407 012 4406	DIODE 1SS133-T-77			R3603	401 015 3701	CARBON 18K JA	1/4W	PCB
D3901	407 007 9904	DIODE GMA01-BT			R3605	401 015 4609	CARBON 180K JA	1/4W	PCB
OR	407 012 4406	DIODE 1SS133-T-77			R3606	401 012 6903	CARBON 10K JA	1/4W	PCB
D3926	407 012 4406	DIODE 1SS133-T-77			R3609	401 014 6000	CARBON 150K JA	1/4W	PCB
OR	407 007 9904	DIODE GMA01-BT			R3610	401 014 6000	CARBON 150K JA	1/4W	PCB
D3927	407 012 4406	DIODE 1SS133-T-77			R3611	401 018 5702	CARBON 330K JA	1/4W	PCB
OR	407 007 9904	DIODE GMA01-BT			R3612	401 017 3709	CARBON 270K JA	1/4W	PCB
IC351	409 180 3601	IC LC7418-8086			R3613	401 023 7807	CARBON 91K JA	1/4W	PCB
IC352	409 159 8606	IC LA7122S			R3614	401 013 7206	CARBON 120K JA	1/4W	PCB
OR	409 178 3200	IC LA7124S			R3615	401 015 4609	CARBON 180K JA	1/4W	PCB
IC371	409 020 7202	IC LC4013B			R3616	401 012 8006	CARBON 100K JA	1/4W	PCB
OR	409 207 1405	IC MLC4013B			R3617	401 012 6903	CARBON 10K JA	1/4W	PCB
IC372	409 020 8704	IC LC4066B			R3618	401 012 8006	CARBON 100K JA	1/4W	PCB
OR	409 207 1900	IC MLC4066B			R3619	401 014 6000	CARBON 150K JA	1/4W	PCB
					R3620	401 012 8006	CARBON 100K JA	1/4W	PCB
					R3621	401 018 5702	CARBON 330K JA	1/4W	PCB

LOCATION	PARTS NO.	DESCRIPTION	LOCATION	PARTS NO.	DESCRIPTION
R3625	401 015 3701	CARBON 1BK JA 1/4W	B1049	405 018 2501	TR 2SC3399-AC
R3626	401 018 5702	CARBON 330K JA 1/4W	B1101	405 000 6104	TR DTC144ES-DCTP
R3702	401 018 4804	CARBON 33K JA 1/4W	OR	405 018 2501	TR 2SC3399-AC
R3703	401 012 6903	CARBON 10K JA 1/4W	B1102	405 018 2501	TR 2SC3399-AC
R3707	401 012 5609	CARBON 1K JA 1/4W	OR	405 000 6104	TR DTC144ES-DCTP
R3922	401 018 5702	CARBON 330K JA 1/4W	B1201	405 000 6104	TR DTC144ES-DCTP
VR351	613 001 9462	SEMI VR 200KB	OR	405 018 2501	TR 2SC3399-AC
OR	613 112 4868	VR, SEMI 200KB	B1202	405 000 6104	TR DTC144ES-DCTP
VR353	613 001 9486	SEMI VR 500KB	OR	405 018 2501	TR 2SC3399-AC
OR	613 112 4936	VR, SEMI 500KB	B1203	405 000 6104	TR DTC144ES-DCTP
VR354	613 001 9486	SEMI VR 500KB	OR	405 018 2501	TR 2SC3399-AC
OR	613 112 4936	VR, SEMI 500KB	B1204	405 000 6104	TR DTC144ES-DCTP
COMPL, VD-1			OR	405 018 2501	TR 2SC3399-AC
COMPL. NO.	613 113 4720		B1205	405 000 6104	TR DTC144ES-DCTP
	613 121 0615	HOLDER	OR	405 018 2501	TR 2SC3399-AC
B1001	405 000 6104	TR DTC144ES-DCTP	B1206	405 000 6104	TR DTC144ES-DCTP
OR	405 018 2501	TR 2SC3399-AC	OR	405 018 2501	TR 2SC3399-AC
B1002	405 000 6104	TR DTC144ES-DCTP	B1207	405 000 6104	TR DTC144ES-DCTP
OR	405 018 2501	TR 2SC3399-AC	OR	405 018 2501	TR 2SC3399-AC
B1003	405 000 6104	TR DTC144ES-DCTP	B1208	405 000 6104	TR DTC144ES-DCTP
OR	405 018 2501	TR 2SC3399-AC	OR	405 018 2501	TR 2SC3399-AC
B1006	405 000 6104	TR DTC144ES-DCTP	B1209	405 003 7603	TR 2SA1345-AC
OR	405 018 2501	TR 2SC3399-AC	B1210	405 000 6104	TR DTC144ES-DCTP
B1007	405 000 6104	TR DTC144ES-DCTP	OR	405 018 2501	TR 2SC3399-AC
OR	405 018 2501	TR 2SC3399-AC	B1212	405 018 2501	TR 2SC3399-AC
B1008	405 000 6104	TR DTC144ES-DCTP	OR	405 000 6104	TR DTC144ES-DCTP
OR	405 018 2501	TR 2SC3399-AC	B1301	405 000 6104	TR DTC144ES-DCTP
B1009	405 000 6104	TR DTC144ES-DCTP	OR	405 018 2501	TR 2SC3399-AC
OR	405 018 2501	TR 2SC3399-AC	B1302	405 000 3103	TR DTC144ES-DCTP
B1010	405 000 6104	TR DTC144ES-DCTP	B1303	405 003 7603	TR 2SA1345-AC
OR	405 018 2501	TR 2SC3399-AC			
B1011	405 000 6104	TR DTC144ES-DCTP	C1001	403 001 1906	CERAMIC 0.01U M 16V
OR	405 018 2501	TR 2SC3399-AC	C1002	403 135 4002	ELECT 47U M 6.3V
B1012	405 000 6104	TR DTC144ES-DCTP	C1003	403 121 3408	ELECT 2.2U M 50V
OR	405 018 2501	TR 2SC3399-AC	C1004	403 121 3408	ELECT 2.2U M 50V
B1013	405 000 6104	TR DTC144ES-DCTP	C1005	403 121 3408	ELECT 2.2U M 50V
OR	405 018 2501	TR 2SC3399-AC	C1007	403 001 1906	CERAMIC 0.01U M 16V
B1014	405 000 6104	TR DTC144ES-DCTP	C1008	403 026 2209	CERAMIC 47P J 50V
OR	405 018 2501	TR 2SC3399-AC	C1009	403 026 2209	CERAMIC 47P J 50V
B1015	405 000 6104	TR DTC144ES-DCTP	C1010	403 070 7205	CERAMIC 150P J 50V
OR	405 018 2501	TR 2SC3399-AC	C1011	403 001 1906	CERAMIC 0.01U M 16V
B1016	405 000 6104	TR DTC144ES-DCTP	C1012	403 014 2600	CERAMIC 18P J 50V
OR	405 018 2501	TR 2SC3399-AC	C1013	403 074 8703	CERAMIC 680P J 50V
B1017	405 000 6104	TR DTC144ES-DCTP	C1015	403 001 1906	CERAMIC 0.01U M 16V
OR	405 018 2501	TR 2SC3399-AC	C1016	403 026 2209	CERAMIC 47P J 50V
B1018	405 003 7603	TR 2SA1345-AC	C1017	403 121 9509	CERAMIC 0.1U Z 50V
OR	405 018 2501	TR 2SC3399-AC	C1018	403 001 1906	CERAMIC 0.01U M 16V
B1019	405 003 7603	TR 2SA1345-AC	C1019	403 001 1906	CERAMIC 0.01U M 16V
OR	405 018 2501	TR 2SC3399-AC	C1020	403 135 4002	ELECT 47U M 6.3V
B1020	405 000 6104	TR DTC144ES-DCTP	C1021	403 001 1906	CERAMIC 0.01U M 16V
OR	405 018 2501	TR 2SC3399-AC	C1022	403 024 1501	CERAMIC 39P J 50V
B1021	405 000 6104	TR DTC144ES-DCTP	C1023	403 001 1906	CERAMIC 0.01U M 16V
OR	405 018 2501	TR 2SC3399-AC	C1024	403 009 1809	CERAMIC 10P J 50V
B1022	405 000 6104	TR DTC144ES-DCTP	C1025	403 001 1906	CERAMIC 0.01U M 16V
OR	405 018 2501	TR 2SC3399-AC	C1026	403 121 3408	ELECT 2.2U M 50V
B1023	405 018 2501	TR 2SC3399-AC	C1027	403 107 9905	ELECT 10U M 16V
OR	405 000 6104	TR DTC144ES-DCTP	C1028	403 073 2702	CERAMIC 390P J 50V
B1024	405 018 2501	TR 2SC3399-AC	C1029	403 071 1509	CERAMIC 180P J 50V
OR	405 000 6104	TR DTC144ES-DCTP	C1030	403 121 3002	ELECT 4.7U M 25V
B1025	405 003 7603	TR 2SA1345-AC	C1031	403 075 3103	CERAMIC 82P J 50V
OR	405 018 2501	TR 2SC3399-AC	C1032	403 014 2600	CERAMIC 18P J 50V
B1046	405 000 6104	TR DTC144ES-DCTP	C1033	403 107 9905	ELECT 10U M 16V
OR	405 018 2501	TR 2SC3399-AC	C1034	403 121 3408	ELECT 2.2U M 50V
B1047	405 000 6104	TR DTC144ES-DCTP	C1035	403 107 9905	ELECT 10U M 16V
OR	405 018 2501	TR 2SC3399-AC	C1036	403 109 6308	ELECT 1U M 50V
B1048	405 000 6104	TR DTC144ES-DCTP	C1037	403 028 3402	CERAMIC 56P J 50V
OR	405 018 2501	TR 2SC3399-AC	C1038	403 010 7807	CERAMIC 12P J 50V
B1049	405 000 6104	TR DTC144ES-DCTP	C1039	403 108 0000	ELECT 0.22U M 50V
			C1040	403 143 2809	CERAMIC 0.047U Z 50V

LOCATION	PARTS NO.	DESCRIPTION	QUANTITY	UNIT	LOCATION	PARTS NO.	DESCRIPTION	QUANTITY	UNIT				
C1041	403 140 9207	NP-ELECT	100	10U M	16V	80000	C1160	MAX4030011906	CERAMIC	100	0.01U M	16V	80000
C1042	403 001 1906	CERAMIC	100	0.01U M	16V	10000	C1161	MAX403016786609	ELECT	1000	47U M	10V	80000
C1043	403 121 3408	ELECT	100	2.2U M	50V	80	C1162	MAX40301637907	ELECT	1000	47U M	6.3V	80000
C1044	403 140 9207	NP-ELECT	1000	10U M	16V	80000	C1163	MAX40300011906	CERAMIC	1000	0.01U M	16V	80000
C1045	403 074 8703	CERAMIC	100	680P J	50V	80	C1164	MAX4030010 7807	CERAMIC	1000	12P J	50V	80000
C1046	403 014 2600	CERAMIC	100	18P J	50V	10000	C1165	MAX40300262209	CERAMIC	1000	47P J	50V	80000
C1047	403 001 1906	CERAMIC	1000	0.01U M	16V	80	C1166	403 024 1501	CERAMIC	1000	39P J	50V	80000
C1048	403 010 7807	CERAMIC	1000	12P J	50V	10000	C1167	403 121 3002	ELECT	1000	4.7U M	25V	80000
C1050	403 022 7703	CERAMIC	1000	33P J	50V	80	C1168	403 074 8703	CERAMIC	1000	680P J	50V	80000
C1054	403 030 6309	CERAMIC	1000	68P J	50V	80000	C1169	403 191 8600	ELECT	1000	4.7U M	25V	80000
C1056	403 030 6309	CERAMIC	1000	68P J	50V	80	C1170	403 001 1906	CERAMIC	1000	0.01U M	16V	80000
C1057	403 001 1906	CERAMIC	1000	0.01U M	16V	80000	C1171	403 001 1906	CERAMIC	1000	0.01U M	16V	80000
C1058	403 026 2209	CERAMIC	1000	47P J	50V	80	C1172	403 193 8202	ELECT	1000	0.1U M	50V	80000
C1059	403 024 1501	CERAMIC	1000	39P J	50V	80000	C1173	403 001 1906	CERAMIC	1000	0.01U M	16V	80000
C1060	403 001 1906	CERAMIC	1000	0.01U M	16V	80	C1174	403 167 6609	ELECT	1000	4.7U M	10V	80000
C1061	403 028 3402	CERAMIC	1000	56P J	50V	80000	C1175	403 163 7907	ELECT	1000	4.7U M	6.3V	80000
C1062	403 068 8801	CERAMIC	1000	100P J	50V	80	C1176	403 001 1906	CERAMIC	1000	0.01U M	16V	80000
C1063	403 030 1700	CERAMIC	1000	6.8P J	50V	80000	C1177	403 010 7807	CERAMIC	1000	12P J	50V	80000
C1064	403 072 7500	CERAMIC	1000	330P J	50V	80	C1178	403 026 2209	CERAMIC	1000	47P J	50V	80000
C1065	403 104 8505	CERAMIC	1000	0.047U J	25V	80000	C1179	403 024 1501	CERAMIC	1000	39P J	50V	80000
C1066	403 135 4002	ELECT	1000	47U M	6.3V	80000	C1180	403 075 3103	CERAMIC	1000	82P J	50V	80000
C1067	403 028 3402	CERAMIC	1000	56P J	50V	80000	C1191	403 001 1906	CERAMIC	1000	0.01U M	16V	80000
C1068	403 030 6309	CERAMIC	1000	68P J	50V	80000	C1192	403 135 4002	ELECT	1000	47U M	6.3V	80000
C1069	403 017 9705	CERAMIC	1000	22P J	50V	80000	C1193	403 070 3702	CERAMIC	1000	120P J	50V	80000
C1070	403 071 1509	CERAMIC	1000	180P J	50V	80000	C1194	403 019 1707	CERAMIC	1000	24P J	50V	80000
C1071	403 073 2702	CERAMIC	1000	390P J	50V	80000	C1195	403 001 1906	CERAMIC	1000	0.01U M	16V	80000
C1072	403 030 6309	CERAMIC	1000	68P J	50V	80000	C1196	403 121 9509	CERAMIC	1000	0.1U Z	50V	80000
C1074	403 001 1906	CERAMIC	1000	0.01U M	16V	80000	C1201	403 135 4002	ELECT	1000	47U M	6.3V	80000
C1076	403 001 1906	CERAMIC	1000	0.01U M	16V	80000	C1202	403 068 8801	CERAMIC	1000	100P J	50V	80000
C1077	403 001 1906	CERAMIC	1000	0.01U M	16V	80000	C1203	403 070 7205	CERAMIC	1000	150P J	50V	80000
C1078	403 068 8801	CERAMIC	1000	100P J	50V	80000	C1204	403 070 7205	CERAMIC	1000	150P J	50V	80000
C1080	403 001 1906	CERAMIC	1000	0.01U M	16V	80000	C1205	403 140 9207	NP-ELECT	1000	10U M	16V	80000
C1081	403 068 8801	CERAMIC	1000	100P J	50V	80000	C1206	403 107 9905	ELECT	1000	10U M	16V	80000
C1082	403 009 1809	CERAMIC	1000	10P J	50V	80000	C1207	403 001 1906	CERAMIC	1000	0.01U M	16V	80000
C1101	403 135 4002	ELECT	1000	47U M	6.3V	80000	C1208	403 001 1906	CERAMIC	1000	0.01U M	16V	80000
C1102	403 121 3408	ELECT	1000	2.2U M	50V	80000	C1209	403 107 9905	ELECT	1000	10U M	16V	80000
C1103	403 121 3408	ELECT	1000	2.2U M	50V	80000	C1210	403 107 9905	ELECT	1000	10U M	16V	80000
C1104	403 135 4002	ELECT	1000	47U M	6.3V	80000	C1224	403 075 3103	CERAMIC	1000	82P J	50V	80000
C1105	403 135 4002	ELECT	1000	47U M	6.3V	80000	C1225	403 001 1906	CERAMIC	1000	0.01U M	16V	80000
C1106	403 001 1906	CERAMIC	1000	0.01U M	16V	80000	C1226	403 017 9705	CERAMIC	1000	22P J	50V	80000
C1107	403 144 4406	CERAMIC	1000	220P 6	50V	80000	C1227	403 001 1906	CERAMIC	1000	0.01U M	16V	80000
C1108	403 195 9207	CERAMIC	1000	300P 6	50V	80000	C1228	403 001 1906	CERAMIC	1000	0.01U M	16V	80000
C1109	403 195 9207	CERAMIC	1000	300P 6	50V	80000	C1229	403 001 1906	CERAMIC	1000	0.01U M	16V	80000
C1110	403 144 4307	CERAMIC	1000	82P 6	50V	80000	C1230	403 001 1906	CERAMIC	1000	0.01U M	16V	80000
C1111	403 144 4505	CERAMIC	1000	270P 6	50V	80000	C1231	403 001 1906	CERAMIC	1000	0.01U M	16V	80000
C1112	403 071 1509	CERAMIC	1000	180P J	50V	80000	C1232	403 001 1906	CERAMIC	1000	0.01U M	16V	80000
C1113	403 026 2209	CERAMIC	1000	47P J	50V	80000	C1233	403 001 1906	CERAMIC	1000	0.01U M	16V	80000
C1114	403 022 4702	CERAMIC	1000	300P J	50V	80000	C1234	403 104 8505	CERAMIC	1000	0.047U J	25V	80000
C1120	403 074 8703	CERAMIC	1000	680P J	50V	80000	C1235	403 135 5009	ELECT	1000	47U M	10V	80000
C1121	403 191 8600	ELECT	1000	4.7U M	25V	80000	C1236	403 001 1906	CERAMIC	1000	0.01U M	16V	80000
C1122	403 191 8600	ELECT	1000	4.7U M	25V	80000	C1237	403 017 9705	CERAMIC	1000	22P J	50V	80000
C1126	403 001 1906	CERAMIC	1000	0.01U M	16V	80000	C1238	403 024 1501	CERAMIC	1000	39P J	50V	80000
C1127	403 001 1906	CERAMIC	1000	0.01U M	16V	80000	C1239	403 001 1906	CERAMIC	1000	0.01U M	16V	80000
C1128	403 001 1906	CERAMIC	1000	0.01U M	16V	80000	C1240	403 001 1906	CERAMIC	1000	0.01U M	16V	80000
C1129	403 167 6609	ELECT	1000	4.7U M	10V	80000	C1241	403 001 1906	CERAMIC	1000	0.01U M	16V	80000
C1130	403 163 7907	ELECT	1000	4.7U M	6.3V	80000	C1242	403 028 3402	CERAMIC	1000	56P J	50V	80000
C1131	403 001 1906	CERAMIC	1000	0.01U M	16V	80000	C1243	403 104 8505	CERAMIC	1000	0.047U J	25V	80000
C1132	403 010 7807	CERAMIC	1000	12P J	50V	80000	C1244	403 143 2809	CERAMIC	1000	0.047U Z	50V	80000
C1133	403 026 2209	CERAMIC	1000	47P J	50V	80000	C1245	403 135 5009	ELECT	1000	4.7U M	10V	80000
C1134	403 024 1501	CERAMIC	1000	39P J	50V	80000	C1246	403 001 1906	CERAMIC	1000	0.01U M	16V	80000
C1137	403 026 2209	CERAMIC	1000	47P J	50V	80000	C1247	403 135 5009	ELECT	1000	4.7U M	10V	80000
C1151	403 107 9905	ELECT	1000	10U M	16V	80000	C1248	403 107 9905	ELECT	1000	10U M	16V	80000
C1153	403 001 1906	CERAMIC	1000	0.01U M	16V	80000	C1249	403 143 2809	CERAMIC	1000	0.047U Z	50V	80000
C1154	403 135 4002	ELECT	1000	47U M	6.3V	80000	C1250	403 135 5009	ELECT	1000	4.7U M	10V	80000
C1155	403 074 8703	CERAMIC	1000	680P J	50V	80000	C1251	403 104 8505	CERAMIC	1000	0.047U J	25V	80000
C1156	403 191 8600	ELECT	1000	4.7U M	25V	80000	C1252	403 121 2104	ELECT	1000	2.2U M	10V	80000
C1157	403 191 8600	ELECT	1000	4.7U M	25V	80000	C1254	403 001 1906	CERAMIC	1000	0.01U M	16V	80000
C1158	403 001 1906	CERAMIC	1000	0.01U M	16V	80000	C1255	403 121 2104	ELECT	1000	2.2U M	10V	80000
C1159	403 001 1906	CERAMIC	1000	0.01U M	16V	80000	C1256	403 121 3002	ELECT	1000	4.7U M	25V	80000

LOCATION	PARTS NO.	DESCRIPTION	LOCATION	PARTS NO.	DESCRIPTION
C1257	403 121 3002	ELECT 4.7U M 25V	DL101	613 088 0840	DELAY,2H
C1258	403 135 4002	ELECT 47U M 6.3V	DL102	613 088 0857	DELAY,0.5H
C1259	403 104 8505	CERAMIC 0.047U J 25V	OR	613 120 1286	DELAY,0.5H
C1260	403 166 1605	NP-ELECT 4.7U M 25V	IC101	409 221 1900	IC M52084SP
C1261	403 121 3002	ELECT 4.7U M 25V	IC102	409 209 3308	IC VC-2076DP
C1262	403 072 4202	CERAMIC 270P J 50V	IC103	409 168 8505	IC MSM6967-RS
C1301	403 003 6107	CERAMIC 3300P M 25V	IC104	409 182 8901	IC NJM2235L
C1302	403 109 6308	ELECT 1U M 50V	IC105	409 168 8604	IC MSM6989-RS
C1303	403 001 3801	CERAMIC 1500P K 16V	IC106	409 225 0800	IC CXL5003P
C1304	403 121 3002	ELECT 4.7U M 25V	IC107	409 168 8307	IC BA7607
C1305	403 001 1906	CERAMIC 0.01U M 16V	IC108	409 221 2105	IC CXA1413L
C1306	403 109 6308	ELECT 1U M 50V	IC109	409 221 2006	IC AN3592K
C1307	403 109 6308	ELECT 1U M 50V	IC110	409 182 9007	IC NJM2234L
C1308	403 001 1906	CERAMIC 0.01U M 16V	IC111	409 172 6801	IC BA7604N
C1309	403 017 9705	CERAMIC 22P J 50V			
C1310	403 017 9705	CERAMIC 22P J 50V			
C1311	403 001 1906	CERAMIC 0.01U M 16V	L1001	613 014 1118	COIL,INDUCTOR 18UHJ
C1312	403 001 1906	CERAMIC 0.01U M 16V	L1045	613 014 1118	COIL,INDUCTOR 18UHJ
C1313	403 025 8608	CERAMIC 43P J 50V	L1046	613 014 1200	COIL,INDUCTOR 100UHJ
C1314	403 001 1906	CERAMIC 0.01U M 16V	L1047	613 014 1170	COIL,INDUCTOR 56UHJ
C1316	403 071 1509	CERAMIC 180P J 50V	L1049	613 014 1118	COIL,INDUCTOR 18UHJ
C1317	403 135 4002	ELECT 47U M 6.3V	L1050	613 014 1101	COIL,INDUCTOR 15UHJ
C1318	403 001 1906	CERAMIC 0.01U M 16V	L1051	613 014 1156	COIL,INDUCTOR 39UHJ
C1319	403 003 1805	CERAMIC 2200P M 25V	L1052	613 014 1071	COIL,INDUCTOR 8.2UHJ
C1320	403 001 1906	CERAMIC 0.01U M 16V	L1053	613 014 1156	COIL,INDUCTOR 39UHJ
C1321	403 003 4707	CERAMIC 0.027U J 25V	L1054	613 014 1088	COIL,INDUCTOR 10UHJ
C1322	403 109 6308	ELECT 1U M 50V	L1055	613 014 1231	COIL,INDUCTOR 180UHJ
C1323	403 003 1805	CERAMIC 2200P M 25V	OR	613 014 4751	HF CHOKE 180UH J
C1324	403 001 1906	CERAMIC 0.01U M 16V	L1056	613 015 6310	COIL,INDUCTOR 820UHJ
C1325	403 001 1906	CERAMIC 0.01U M 16V	L1057	613 014 1064	COIL,INDUCTOR 6.8UHJ
C1326	403 001 1906	CERAMIC 0.01U M 16V	L1058	613 014 1125	COIL,INDUCTOR 22UHJ
C1327	403 001 1906	CERAMIC 0.01U M 16V	L1059	613 014 1194	COIL,INDUCTOR 82UHJ
C1328	403 001 1906	CERAMIC 0.01U M 16V	L1060	613 014 1187	COIL,INDUCTOR 68UHJ
C1329	403 001 1906	CERAMIC 0.01U M 16V	L1062	613 014 1064	COIL,INDUCTOR 6.8UHJ
C1330	403 001 1906	CERAMIC 0.01U M 16V	OR	613 014 4584	HF CHOKE 6.8UH J
C1331	403 135 4002	ELECT 47U M 6.3V	L1120	613 015 6730	COIL,INDUCTOR 100UHJ
C1332	403 071 1509	CERAMIC 180P J 50V	L1121	613 015 6730	COIL,INDUCTOR 100UHJ
C1333	403 068 8801	CERAMIC 100P J 50V	L1122	613 014 1156	COIL,INDUCTOR 39UHJ
C1334	403 030 6309	CERAMIC 68P J 50V	L1123	613 014 1156	COIL,INDUCTOR 39UHJ
C1385	403 001 1906	CERAMIC 0.01U M 16V	L1124	613 014 1163	COIL,INDUCTOR 47UHJ
D1001	407 007 9904	DIODE GMA01-BT	L1125	613 014 1095	COIL,INDUCTOR 12UHJ
OR	407 012 4406	DIODE 1SS133-T-77	L1151	613 015 6730	COIL,INDUCTOR 100UHJ
D1002	407 007 9904	DIODE GMA01-BT	L1152	613 015 6730	COIL,INDUCTOR 100UHJ
OR	407 012 4406	DIODE 1SS133-T-77	L1153	613 014 1156	COIL,INDUCTOR 39UHJ
D1003	407 007 9904	DIODE GMA01-BT	L1154	613 014 1156	COIL,INDUCTOR 39UHJ
OR	407 012 4406	DIODE 1SS133-T-77	L1155	613 014 1163	COIL,INDUCTOR 47UHJ
D1004	407 012 4406	DIODE 1SS133-T-77	L1156	613 014 1095	COIL,INDUCTOR 12UHJ
OR	407 007 9904	DIODE GMA01-BT	L1157	613 015 6730	COIL,INDUCTOR 100UHJ
D1005	407 012 4406	DIODE 1SS133-T-77	L1158	613 015 6730	COIL,INDUCTOR 100UHJ
OR	407 007 9904	DIODE GMA01-BT	L1159	613 014 1156	COIL,INDUCTOR 39UHJ
D1006	407 007 9904	DIODE GMA01-BT	L1160	613 014 1156	COIL,INDUCTOR 39UHJ
OR	407 012 4406	DIODE 1SS133-T-77	L1161	613 014 1163	COIL,INDUCTOR 47UHJ
D1101	407 007 9904	DIODE GMA01-BT	L1162	613 014 1095	COIL,INDUCTOR 12UHJ
OR	407 012 4406	DIODE 1SS133-T-77	L1191	613 015 6730	COIL,INDUCTOR 100UHJ
D1151	407 007 9904	DIODE GMA01-BT	L1201	613 014 1132	COIL,INDUCTOR 27UHJ
OR	407 012 4406	DIODE 1SS133-T-77	L1202	613 014 1200	COIL,INDUCTOR 100UHJ
D1153	407 007 9904	DIODE GMA01-BT	L1203	613 014 1163	COIL,INDUCTOR 47UHJ
OR	407 012 4406	DIODE 1SS133-T-77	L1204	613 014 1101	COIL,INDUCTOR 15UHJ
D1154	407 007 9904	DIODE GMA01-BT	L1205	613 014 1132	COIL,INDUCTOR 27UHJ
OR	407 012 4406	DIODE 1SS133-T-77	L1206	613 014 1170	COIL,INDUCTOR 56UHJ
D1225	407 007 9904	DIODE GMA01-BT	L1207	613 014 1170	COIL,INDUCTOR 56UHJ
OR	407 012 4406	DIODE 1SS133-T-77	L1208	613 014 1200	COIL,INDUCTOR 100UHJ
D1226	407 007 9904	DIODE GMA01-BT	L1301	613 015 6594	COIL,INDUCTOR 6.8UHJ
OR	407 012 4406	DIODE 1SS133-T-77	L1302	613 014 1149	COIL,INDUCTOR 33UHJ
D1302	407 012 4406	DIODE 1SS133-T-77	L1303	613 014 1101	COIL,INDUCTOR 15UHJ
OR	407 007 9904	DIODE GMA01-BT	L1304	613 014 1071	COIL,INDUCTOR 8.2UHJ
D1303	407 012 4406	DIODE 1SS133-T-77	L1305	613 014 1071	COIL,INDUCTOR 8.2UHJ
OR	407 007 9904	DIODE GMA01-BT	Q1001	405 093 0607	TR KSC2785-Y

LOCATION	PARTS NO.	DESCRIPTION	UNIT	QTY	LOCATION	PARTS NO.	DESCRIPTION	UNIT	QTY
Q1001	405 011 8401	TR 2SC1740S-DCTP-Q			Q1050	405 016 0905	TR 2SC2839-E-SPA-AC		
OR	405 011 8500	TR 2SC1740S-DCTP-R			OR	405 016 1100	TR 2SC2839-F-SPA-AC		
OR	405 019 2005	TR 2SC536-E-SPA-AC			OR	405 015 2603	TR 2SC2669-Y-TPE4		
OR	405 019 2807	TR 2SC536-F-SPA-AC			OR	405 015 2504	TR 2SC2669-O-TPE4		
Q1002	405 093 0607	TR KSC2785-Y			OR	405 012 9506	TR 2SC2058S-DCTP-Q		
OR	405 011 8401	TR 2SC1740S-DCTP-Q			Q1051	405 093 0607	TR KSC2785-Y		
OR	405 011 8500	TR 2SC1740S-DCTP-R			OR	405 011 8401	TR 2SC1740S-DCTP-Q		
OR	405 019 2005	TR 2SC536-E-SPA-AC			OR	405 011 8500	TR 2SC1740S-DCTP-R		
OR	405 019 2807	TR 2SC536-F-SPA-AC			OR	405 019 2005	TR 2SC536-E-SPA-AC		
Q1003	405 093 0607	TR KSC2785-Y			OR	405 019 2807	TR 2SC536-F-SPA-AC		
OR	405 011 8401	TR 2SC1740S-DCTP-Q			Q1052	405 093 0508	TR KSA1175-Y		
OR	405 011 8500	TR 2SC1740S-DCTP-R			OR	405 004 4007	TR 2SA608-E-SPA-AC		
OR	405 019 2005	TR 2SC536-E-SPA-AC			OR	405 004 4601	TR 2SA608-F-SPA-AC		
OR	405 019 2807	TR 2SC536-F-SPA-AC			OR	405 006 1707	TR 2SA933S-TP-Q		
Q1004	405 093 0607	TR KSC2785-Y			OR	405 006 1806	TR 2SA933S-T93-R		
OR	405 011 8401	TR 2SC1740S-DCTP-Q			Q1053	405 093 0607	TR KSC2785-Y		
OR	405 011 8500	TR 2SC1740S-DCTP-R			OR	405 011 8401	TR 2SC1740S-DCTP-Q		
OR	405 019 2005	TR 2SC536-E-SPA-AC			OR	405 011 8500	TR 2SC1740S-DCTP-R		
OR	405 019 2807	TR 2SC536-F-SPA-AC			OR	405 019 2005	TR 2SC536-E-SPA-AC		
Q1005	405 019 2005	TR 2SC536-E-SPA-AC			OR	405 019 2807	TR 2SC536-F-SPA-AC		
OR	405 019 2807	TR 2SC536-F-SPA-AC			Q1054	405 093 0508	TR KSA1175-Y		
OR	405 011 8401	TR 2SC1740S-DCTP-Q			OR	405 004 4007	TR 2SA608-E-SPA-AC		
OR	405 011 8500	TR 2SC1740S-DCTP-R			OR	405 004 4601	TR 2SA608-F-SPA-AC		
OR	405 093 0607	TR KSC2785-Y			OR	405 006 1707	TR 2SA933S-TP-Q		
Q1006	405 012 9506	TR 2SC2058S-DCTP-Q			OR	405 006 1806	TR 2SA933S-T93-R		
OR	405 015 2504	TR 2SC2669-O-TPE4			Q1056	405 016 0905	TR 2SC2839-E-SPA-AC		
OR	405 015 2603	TR 2SC2669-Y-TPE4			OR	405 016 1100	TR 2SC2839-F-SPA-AC		
OR	405 016 0905	TR 2SC2839-E-SPA-AC			OR	405 015 2504	TR 2SC2669-O-TPE4		
OR	405 016 1100	TR 2SC2839-F-SPA-AC			OR	405 012 9506	TR 2SC2058S-DCTP-Q		
Q1007	405 004 4007	TR 2SA608-E-SPA-AC			OR	405 015 2603	TR 2SC2669-Y-TPE4		
OR	405 004 4601	TR 2SA608-F-SPA-AC			Q1101	405 093 0508	TR KSA1175-Y		
OR	405 006 1707	TR 2SA933S-TP-Q			OR	405 004 4007	TR 2SA608-E-SPA-AC		
OR	405 006 1806	TR 2SA933S-T93-R			OR	405 004 4601	TR 2SA608-F-SPA-AC		
OR	405 093 0508	TR KSA1175-Y			OR	405 006 1707	TR 2SA933S-TP-Q		
Q1008	405 093 0508	TR KSA1175-Y			OR	405 006 1806	TR 2SA933S-T93-R		
OR	405 004 4007	TR 2SA608-E-SPA-AC			Q1102	405 093 0508	TR KSA1175-Y		
OR	405 004 4601	TR 2SA608-F-SPA-AC			OR	405 004 4007	TR 2SA608-E-SPA-AC		
OR	405 006 1707	TR 2SA933S-TP-Q			OR	405 004 4601	TR 2SA608-F-SPA-AC		
OR	405 006 1806	TR 2SA933S-T93-R			OR	405 006 1707	TR 2SA933S-TP-Q		
Q1009	405 004 4007	TR 2SA608-E-SPA-AC			OR	405 006 1806	TR 2SA933S-T93-R		
OR	405 004 4601	TR 2SA608-F-SPA-AC			Q1103	405 093 0508	TR KSA1175-Y		
OR	405 006 1707	TR 2SA933S-TP-Q			OR	405 004 4007	TR 2SA608-E-SPA-AC		
OR	405 006 1806	TR 2SA933S-T93-R			OR	405 004 4601	TR 2SA608-F-SPA-AC		
OR	405 093 0508	TR KSA1175-Y			OR	405 006 1707	TR 2SA933S-TP-Q		
Q1045	405 012 9506	TR 2SC2058S-DCTP-Q			OR	405 006 1806	TR 2SA933S-T93-R		
OR	405 015 2504	TR 2SC2669-O-TPE4			Q1104	405 093 0508	TR KSA1175-Y		
OR	405 015 2603	TR 2SC2669-Y-TPE4			OR	405 004 4007	TR 2SA608-E-SPA-AC		
OR	405 016 0905	TR 2SC2839-E-SPA-AC			OR	405 004 4601	TR 2SA608-F-SPA-AC		
OR	405 016 1100	TR 2SC2839-F-SPA-AC			OR	405 006 1707	TR 2SA933S-TP-Q		
Q1046	405 012 9506	TR 2SC2058S-DCTP-Q			OR	405 006 1806	TR 2SA933S-T93-R		
OR	405 015 2504	TR 2SC2669-O-TPE4			Q1151	405 093 0508	TR KSA1175-Y		
OR	405 015 2603	TR 2SC2669-Y-TPE4			OR	405 004 4007	TR 2SA608-E-SPA-AC		
OR	405 016 0905	TR 2SC2839-E-SPA-AC			OR	405 004 4601	TR 2SA608-F-SPA-AC		
OR	405 016 1100	TR 2SC2839-F-SPA-AC			OR	405 006 1707	TR 2SA933S-TP-Q		
Q1047	405 093 0508	TR KSA1175-Y			OR	405 006 1806	TR 2SA933S-T93-R		
OR	405 004 4007	TR 2SA608-E-SPA-AC			Q1152	405 093 0508	TR KSA1175-Y		
OR	405 004 4601	TR 2SA608-F-SPA-AC			OR	405 004 4007	TR 2SA608-E-SPA-AC		
OR	405 006 1707	TR 2SA933S-TP-Q			OR	405 004 4601	TR 2SA608-F-SPA-AC		
OR	405 006 1806	TR 2SA933S-T93-R			OR	405 006 1707	TR 2SA933S-TP-Q		
Q1048	405 093 0508	TR KSA1175-Y			OR	405 006 1806	TR 2SA933S-T93-R		
OR	405 004 4007	TR 2SA608-E-SPA-AC			Q1153	405 093 0508	TR KSA1175-Y		
OR	405 004 4601	TR 2SA608-F-SPA-AC			OR	405 004 4007	TR 2SA608-E-SPA-AC		
OR	405 006 1707	TR 2SA933S-TP-Q			OR	405 004 4601	TR 2SA608-F-SPA-AC		
OR	405 006 1806	TR 2SA933S-T93-R			OR	405 006 1707	TR 2SA933S-TP-Q		
Q1049	405 016 0905	TR 2SC2839-E-SPA-AC			OR	405 006 1806	TR 2SA933S-T93-R		
OR	405 016 1100	TR 2SC2839-F-SPA-AC			Q1154	405 093 0508	TR KSA1175-Y		
OR	405 015 2603	TR 2SC2669-Y-TPE4			OR	405 004 4007	TR 2SA608-E-SPA-AC		
OR	405 015 2504	TR 2SC2669-O-TPE4			OR	405 004 4601	TR 2SA608-F-SPA-AC		
OR	405 012 9506	TR 2SC2058S-DCTP-Q			OR	405 006 1707	TR 2SA933S-TP-Q		